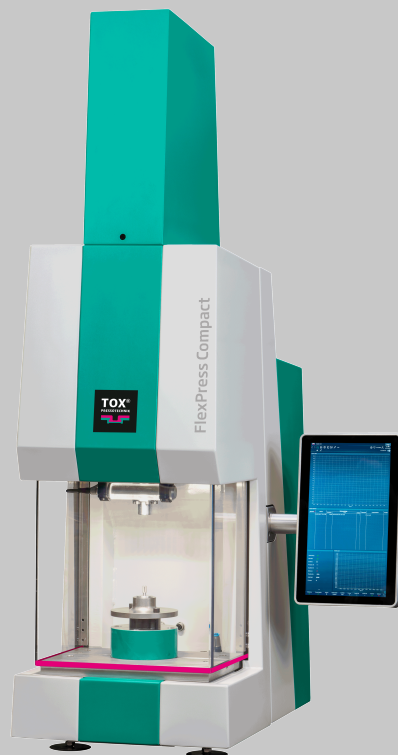


# TOX<sup>®</sup> FlexPress Compact

Data sheet 60.20

2024 / 03



Subject to technical changes.

# Technical data

## Models and details

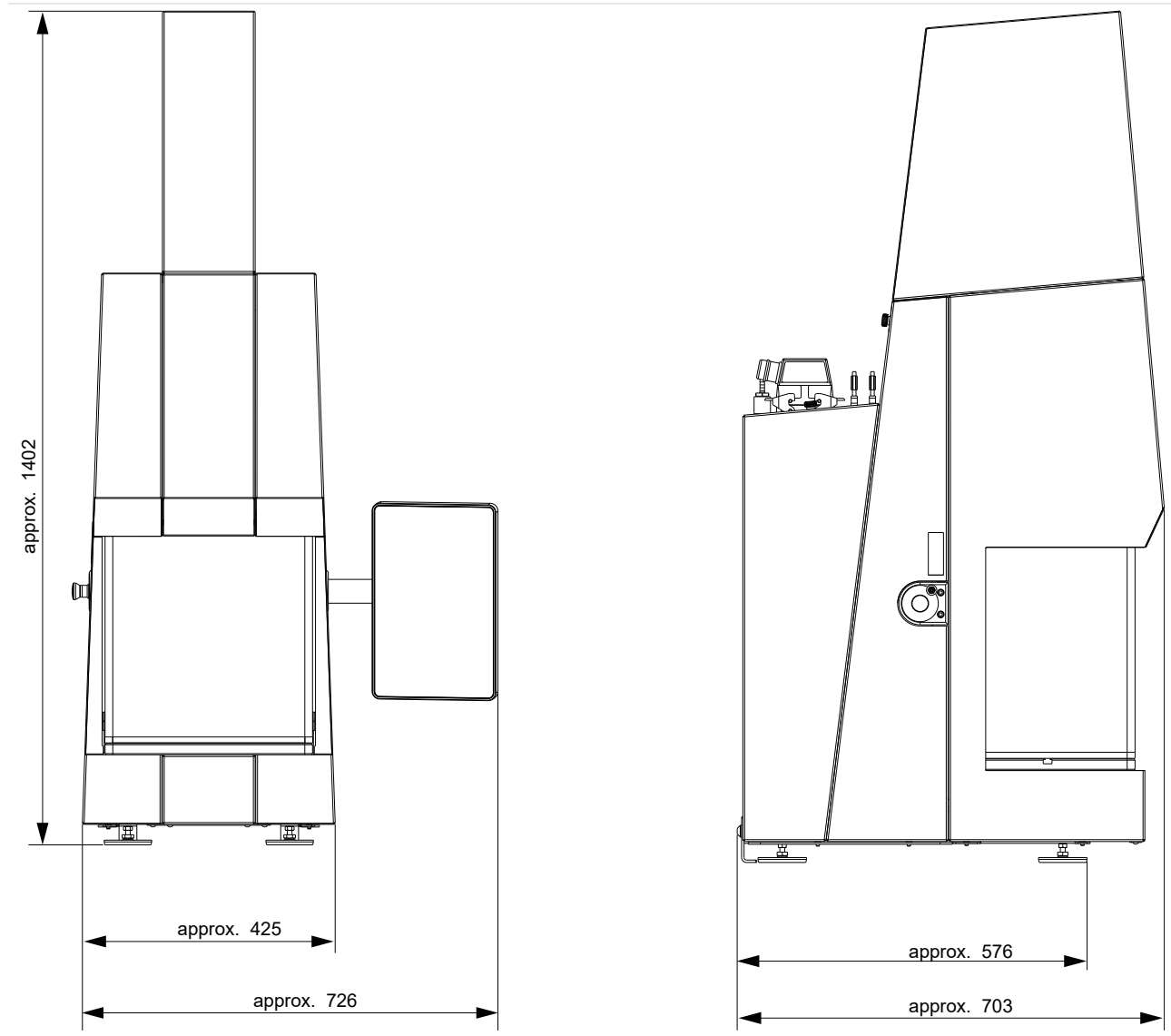
	TOX® FlexPress Compact 005,000	TOX® FlexPress Compact 010,000	TOX® FlexPress Compact 030,000	TOX® FlexPress Compact 060,000
Drive type	TOX®-ElectricPowerDrive EQe-K	TOX®-ElectricPowerDrive EXe-K	TOX®-ElectricPowerDrive EQe-K	TOX®-ElectricPowerDrive EXe-K
Max. press force	5 kN	10 kN	30 kN	60 kN
speed	0-220 mm/s	0-300 mm/s	0-200 mm/s	0-125 mm/s
Stroke length	150 mm			
Opening/tool area	325 mm		314 mm	
Tool holding fixture	6 x M5 (top), T-slot (bottom) Center bore bottom (not aligned with ram center)		6 x M6 (top), T-slot (bottom) Center bore bottom (not aligned with ram center)	
Max. tool weight (top tool)	10 kg		25 kg	
Power supply	3 x 400 V			
Back-up fuse	C16A			
Ambient temperature	+10 °C to +35 °C			
Process monitoring system	TOX®-ProcessMonitor			
Control system	TOX®-SystemControl Core, UDI Panel 15" (Touch)			
Connectivity	2 inputs M12 for piece part sensors 1 Ethercat connection for intelligent bus module 1 pneumatic connection (no valve, no maintenance unit) USB 2.0 (type A) on the UDI panel for hand scanner M12 (8-pole) for start button			
Conformity	CE			
Dimensions	425 mm x 703 mm x 1402 mm			
Dimensions of working area (width x depth)	320 mm x 250 mm			
Weight	226 kg	231 kg	270 kg	275 kg

## Additional possibilities

- If required, delivery with custom manufactured TOX®-tool
- Extension of functions via Ethercat module in the working area or switch cabinet, e.g.:
  - Start button
  - Spray unit
  - Manual or automatic clamp
  - Additional piece part sensors
    - 1 x Force sensor
    - 1 x Distance sensor
  - Pneumatic valves
  - Electric actuators
  - Hand scanner

# Dimensions

## Dimensions

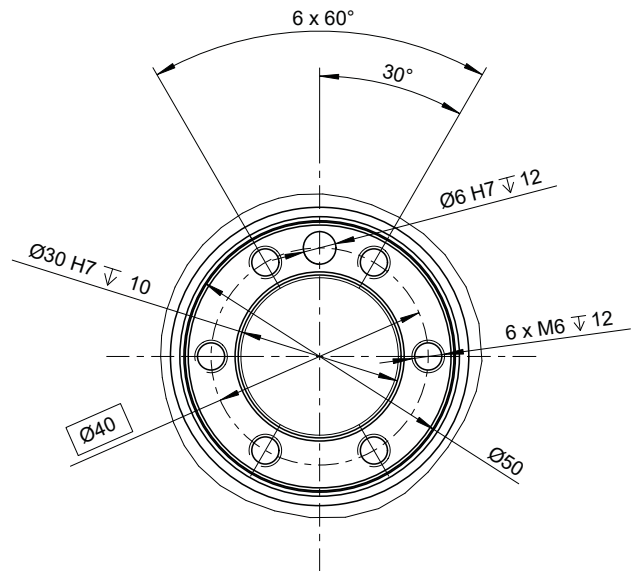
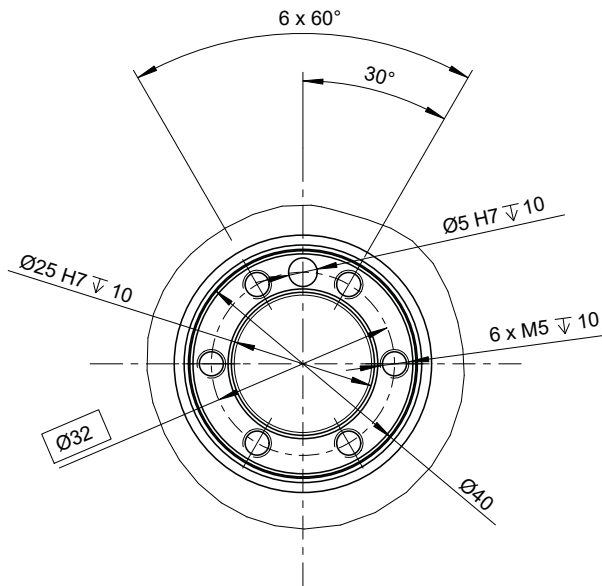


# Dimensions

## Tool connection drive side

TOX® FlexPress Compact 005.000  
TOX® FlexPress Compact 010.000

TOX® FlexPress Compact 030.000  
TOX® FlexPress Compact 060.000



## Tool connection base plate

