

# TOX<sup>®</sup> UDI Panel

Data sheet 100.40

2024 / 02



Subject to technical changes.

# Technical data

## General

Data on theTOX® UDI Panel (Universal Data Interface Panel).

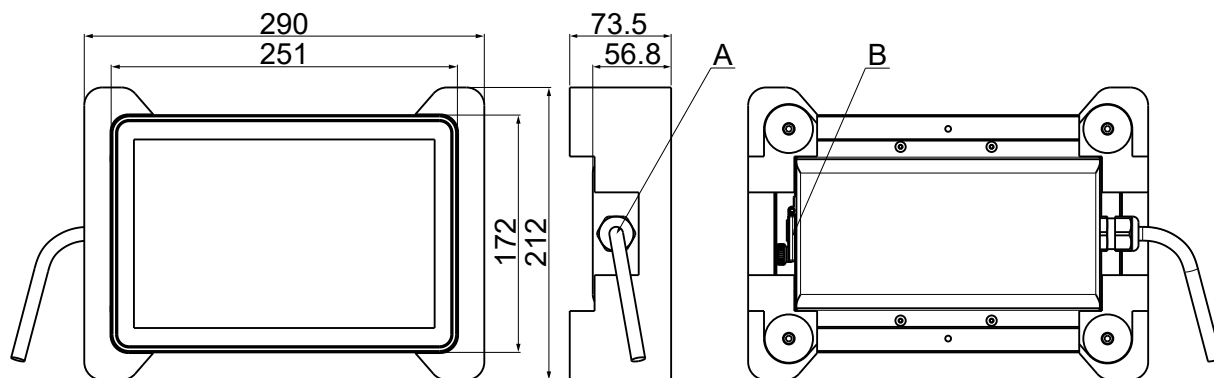
		10.1 inch Handheld	15.6 inch built-in and attachment unit	21.5 inch built-in and attachment unit
Voltage	Min.	16 VDC	16 VDC	24 VDC
	Type	24 VDC	24 VDC	24 VDC
	Max.	34 VDC	34 VDC	24 VDC
Power consumption (during operation)	Min.	17 W	24 W	50 W
	Type	30 W	40 W	80 W
	Max.	60 W	65 W	110 W
Ambient temperature		0 - 40°C	0 - 40°C	0 - 40°C
Protection class		IP66	IP66	IP66
Weight		1.5 kg (without wire)	5.4 kg	10.6 kg
Fixture / mounting		Fixing device for put-down (Not included in the scope of delivery.)	Holder mounting (VESA 75) / switch cabinet installation	Holder mounting (VESA 100) / switch cabinet installation
Processor		Intel® Pentium™ N4200 (up to 2.5 Ghz) 4 cores	Intel® Pentium™ N4200 (up to 2.5 Ghz) 4 cores	Intel® Core™ i3-1220PE 1,5 GHz 8 cores
Working storage		LPDDR4 / 4 GByte	LPDDR4 / 4 GByte	DDR5 / 8 GByte / 16 GByte
Hard disc	Type	SSD - mSATA	SSD - mSATA	SSD
	Capacity	240 GByte	240 GByte	256 GByte
Buffer battery		CR2032	CR2032	Lithium Battery 3V/240 mAh
Screen size	(Diagonal)	10.1 inch	15.6 inch	21.5 inch
Resolution		1280 x 800	1920 x 1080	1920 x 1080
Glass / display quality		Clear (7H)	Clear (7H)	Clear (>6H)
VSync frequency		60 Hz	60 Hz	60 Hz
Luminance (middle)		490 cd/m <sup>2</sup>	880 cd/m <sup>2</sup>	600...700 cd/m <sup>2</sup>
USB		2.0 (type A)	2.0 (type A)	3.0 (type A)
Line length		5 m, 10 m, 15 m, 20 m	Not included in the scope of delivery	Not included in the scope of delivery
Electrical connection		Harting connector	Gb Ethernet (RJ45) / Screw terminal	Gb Ethernet (RJ45) / Screw terminal
Cooling		Without fan	Without fan	Without fan
Storage temperature		-5 °C ... +60 °C	-5 °C ... +60 °C	-5 °C ... +60 °C
Operating system		TOX® OperatingSystem: hardened Linux®-System	TOX® OperatingSystem: hardened Linux®-System	TOX® OperatingSystem: hardened Linux®-System
TOX® Software Version 3.x		Included in the scope of delivery	Included in the scope of delivery	Included in the scope of delivery
Possible use		1TOX® ElectricDrive Core	1TOX® ElectricDrive Core	UP to 10 TOX® ElectricDrive Core

As an example, the specifications refer to a 2-channel process monitoring with a cycle time of 2 seconds and a network quality according to the state of the art.

# Technical data

## Dimensions

### Dimensions 10.1 inch



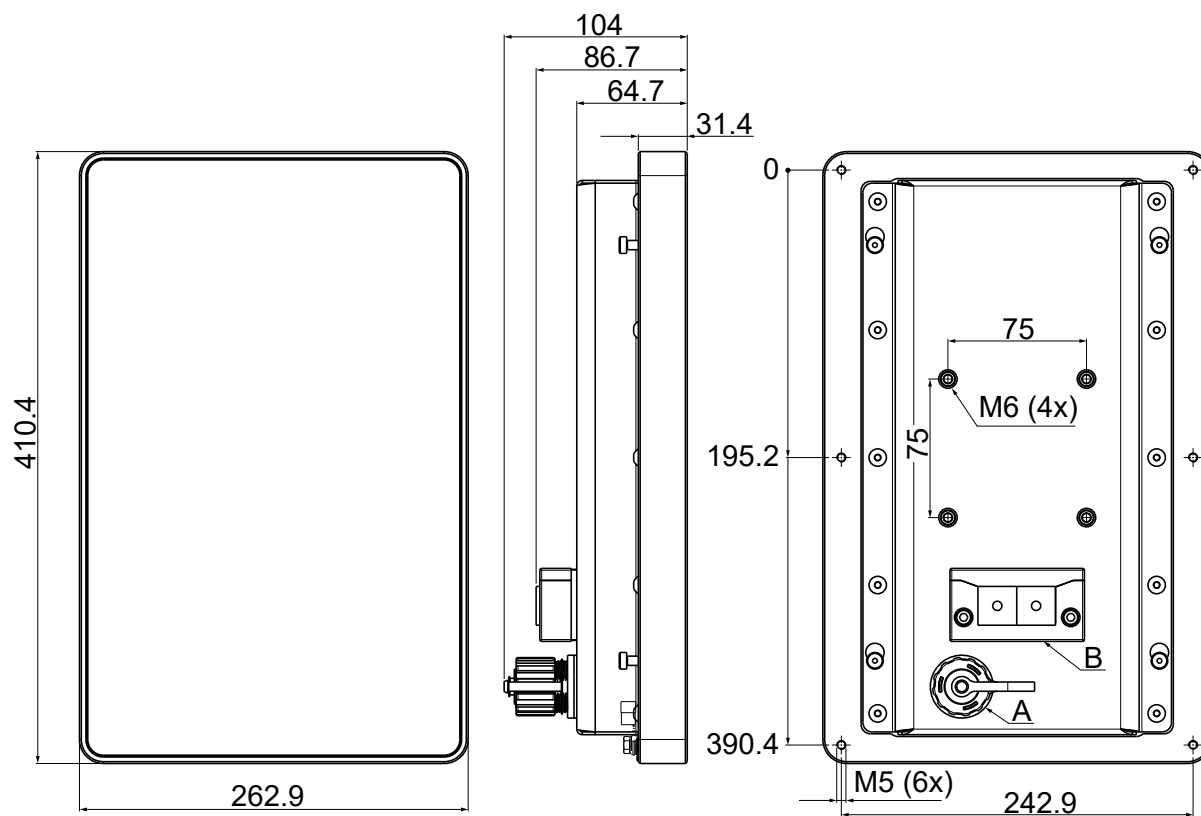
A

Permanent connection

B

Plug coupling USB 2.0

### Dimensions 15.6 inch



A

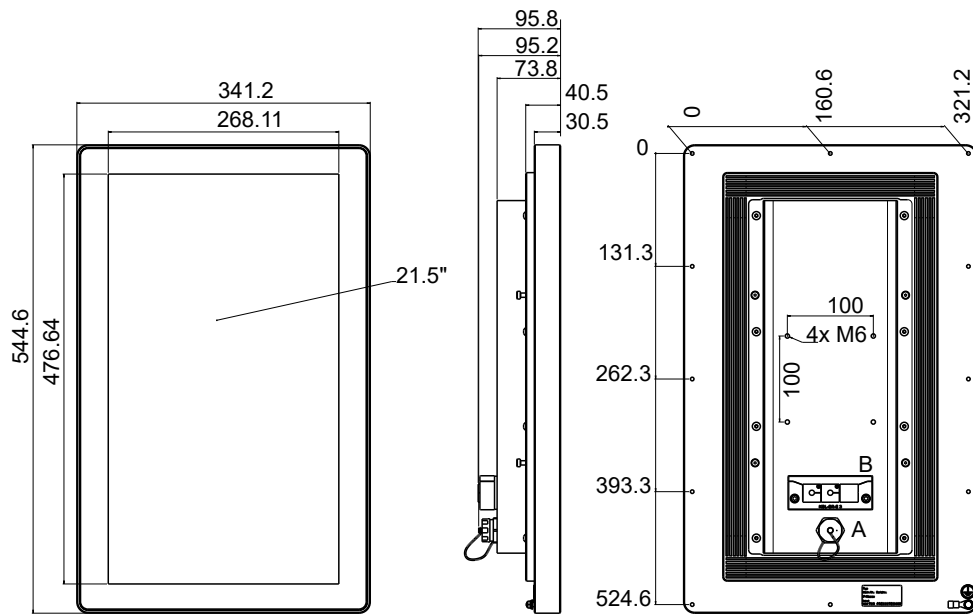
Plug coupling USB 2.0 CONEC

B

Cable bushing

# Technical data

## Dimensions 21.5 inch



A	Plug coupling USB 3.0 type A
B	Cable bushing