

Original operating instructions

TOX[®] Powerpackage line-Q

Type Q-S, Q-K

craft

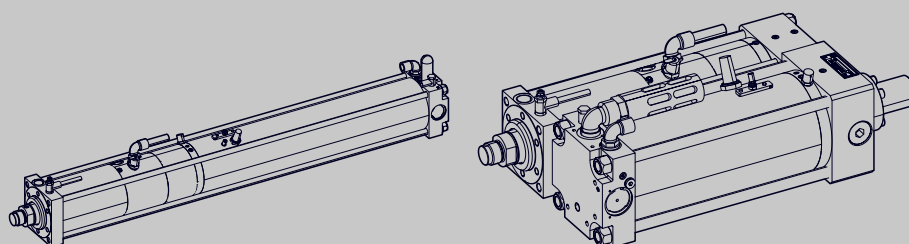


Table of contents

1	Important information	
1.1	Legal note	7
1.2	Exclusion of liability.....	7
1.3	Conformity	7
1.4	Validity of the document	8
1.4.1	Content and target group.....	8
1.4.2	Other applicable documents	8
1.5	Gender note.....	8
1.6	Displays in the document.....	9
1.6.1	Display of warnings.....	9
1.6.2	Display of general notes	10
1.6.3	Highlighting of texts and images.....	10
1.7	Contact and source of supply	11
2	Safety	
2.1	Basic safety requirements	12
2.2	Organizational measures.....	12
2.2.1	Safety requirements for the operating company.....	12
2.2.2	Selection and qualifications of personnel	13
2.3	Fundamental hazard potential	14
2.3.1	Electrical hazards	14
2.3.2	Thermal hazards.....	14
2.3.3	Pneumatic hazards	14
2.3.4	Contusions.....	15
2.3.5	Hydraulic hazards	15
2.3.6	Electromagnetic hazards	16
2.3.7	Laser.....	16
2.3.8	Hazardous substances	16
2.3.9	Noise.....	17
2.3.10	Lithium ion battery	17

Draft

3	About this product	
3.1	Intended use	18
3.1.1	Safe and correct operation	18
3.1.2	Safe and correct design and construction	19
3.1.3	Foreseeable misuse	19
3.2	Product Identification	20
3.2.1	Position and content of the type plate.....	20
3.3	Function description of TOX® Powerpackage with mechanical spring	21
3.4	Product overview of TOX® Powerpackage line-Q.....	25
3.4.1	Product attributes of Powerpackage line-Q	25
3.5	Optional equipment.....	26
3.5.1	Additional optional equipment.....	26
3.6	Product planning.....	27
3.6.1	Design data.....	27
3.6.2	Design principles	27
3.6.3	Air consumption	28
3.6.4	Cycle times	29
3.6.5	Performance optimization	30
3.6.6	Avoidance of dynamic oil leakage	30
3.6.7	Stroke limitation of the power stroke.....	32
3.6.8	Speed reduction of the power stroke	33
3.6.9	Horizontal installation Type K and Z.....	34
3.7	Activation and pressure control	34
3.7.1	Design principles of activation	34
3.7.2	Activation according to dynamic pressure method	36
3.7.3	Pressure control in the power stroke line (assembly ZDK) (optional).....	37
3.7.4	Pressure control in the power stroke line with proportional pressure control valve (optional)	39
3.7.5	External power stroke switch (assembly ZKHZ) (optional)	41
3.7.6	External power stroke deactivation (assembly ZKHD) (optional)	43
3.7.7	External power stroke release (assembly ZKHF) (optional)	45
3.7.8	External power stroke supply (optional).....	47
4	Technical data	
4.1	Type sheet and data sheet	50
4.2	General environmental conditions	50

4.3	Ambient temperature	50
4.4	Compressed air quality and pneumatic connection	51
4.5	Tightening torques	51
4.5.1	Tightening torques for flange mounting the drive	51
4.5.2	Tightening torques on the piston rod	51
4.5.3	Tightening torques of pneumatic screw fittings on the Powerpackage.....	52
4.6	Press force table.....	52
4.7	Specification for hydraulic oil	52
5	Transport and storage	
5.1	Safety during transport	54
5.2	Lifting device.....	55
5.3	Temporary storages.....	55
5.4	Dispatch for repair	55
6	Installation	
6.1	Safety during installation.....	56
6.2	Installing drive.....	57
6.3	Installing optional accessories	58
6.3.1	Installing electronic pressure switch (ZDO)	58
6.3.2	Installing and setting position sensors of stroke monitoring for forward and return stroke (ZHU).....	60
6.3.3	Installing the external linear position sensor (ZHW)	62
6.3.4	Installing pressure control in the power stroke line (ZDK)	64
6.3.5	Installing external power stroke connection (ZKHZ)	66
6.3.6	Installing external power stroke release (ZKHF) and power stroke deactivation (ZKHD).....	67
6.3.7	Preparing external power stroke supply	68
6.3.8	Installing the stroke frequency optimization (ZHO).....	69
6.3.9	Installing the speed reduction for power stroke venting.....	71
6.3.10	Installing tool coupling (ZWK).....	72
7	Commissioning	
7.1	Safety during the commissioning.....	73
7.2	Requirements for the commissioning	74

Draft

7.3	Setting control throttle 'X'	75
7.4	Setting speed ratio of return stroke to fast approach stroke	77
7.5	Set the speed ratio between power stroke and power stroke venting (optional)	77
8	Operation	
8.1	Safety in operation	78
8.2	Requirements for operation	79
8.3	Operating drive	79
9	Troubleshooting	
9.1	Safety during troubleshooting	80
9.2	Searching for causes of fault on the Powerpackage	81
Maintenance table		
10	Maintenance	
10.1	General information	84
10.2	Safety during maintenance	85
10.3	Requirements for maintenance	87
10.3.1	Set system to maintenance position	87
10.4	Checking oil level	88
10.5	Refilling oil and venting drive	89
10.6	Lowering of oil level	93
11	Repairs	
11.1	Safety during repairs	94
11.2	Changing seals	94
12	Disassembly and Disposal	
12.1	Safety during disassembly and disposal	95

Draft

12.2	Decommissioning	96
12.3	Shutdown	96
12.4	Disassembling	97
12.5	Disposal	97

13 Appendices

13.1	DECLARATION OF INCORPORATION	98
------	------------------------------------	----

Index

Draft

1 Important information

1.1 Legal note

All rights reserved.

Operating instructions, manuals, technical descriptions and software published by TOX® PRESSOTECHNIK GmbH & Co. KG ("TOX® PRESSOTECHNIK") are copyright and must not be reproduced, distributed and/or otherwise processed or edited (e.g. by copying, microfilming, translation, transmission in any electronic medium or machine-readable form). Any use - including of extracts - contrary to this condition is prohibited without approval in writing by TOX® PRESSOTECHNIK and may be subject to criminal and civil legal sanctions.

If this manual refers to goods and/or services of third parties, this is for example only or is a recommendation by TOX® PRESSOTECHNIK.

TOX® PRESSOTECHNIK does not accept any liability or warranty/guarantee with reference to the selection, specifications and/or usability of these goods and services. The use and/or representation of trademarked brands that do not belong to TOX® PRESSOTECHNIK are for information only; all rights remain the property of the owner of the trademarked brand.

Operating instructions, manuals, technical descriptions and software are originally compiled in German.

1.2 Exclusion of liability

TOX® PRESSOTECHNIK has checked the contents of this publication to ensure that it conforms to the technical properties and specifications of the products or plant and the description of the software. However, discrepancies may still be present, so we cannot guarantee complete accuracy. The supplier documentation included with the system documentation is an exception.

However, the information in this publication is checked regularly and any required corrections are included in subsequent editions. We are grateful for any corrections and suggestions for improvement. TOX® PRESSOTECHNIK reserves the right to revise the technical specifications of the products or plant and/or the software or documentation without prior notice.

1.3 Conformity

The product is compliant with EU guidelines.

See separate Declaration of conformity or installation declaration.

Draft

1.4 Validity of the document

1.4.1 Content and target group

This manual contains information and instructions for the safe operation and safe maintenance or servicing of the product.

- All information in this manual is up to date at the time of print. TOX® PRESSOTECHNIK reserves the right to make technical changes that improve the system or increase the standard of safety.
- The information is intended for the operating company as well as operating and service personnel.

1.4.2 Other applicable documents

In addition to the available manual, further documents can be supplied. These documents must also be complied with. Other applicable documents can be, for example:

- additional operating manuals (e.g. of components or of a whole system)
- Supplier documentation
- Instructions, such as software manual, etc.
- Technical data sheets
- Safety data sheets
- Data sheets
- Schematics

1.5 Gender note

In order to enhance readability, references to persons that also relate to all sexes are normally only stated in the usual form in German or in the corresponding translated language in this manual, thus e.g. "operator" (singular) for male or female, or "operators" (plural) for male or female". This should in no way convey any gender discrimination or any violation of the principle of equality, however.

1.6 Displays in the document

1.6.1 Display of warnings

Warning signs indicate potential dangers and describe protective measures. Warning signs precede the instructions for which they are applicable.

Warning signs concerning personal injuries

DANGER

Identifies an immediate danger!

Death or severe injuries will occur if appropriate safety measures are not taken.

→ Measures for remedial action and protection.

WARNING

Identifies a potentially dangerous situation!

Death or serious injury may occur if appropriate safety measures are not taken.

→ Measures for remedial action and protection.

CAUTION

Identifies a potentially dangerous situation!

Injury may occur if appropriate safety measures are not taken.

→ Measures for remedial action and protection.

Warning signs indicating potential damage

NOTE


Identifies a potentially dangerous situation!

Property damage may occur if appropriate safety measures are not taken.

→ Measures for remedial action and protection.

1.6.2 Display of general notes

General notes show information on the product or the described action steps.

-  Identifies important information and tips for users.

1.6.3 Highlighting of texts and images

The highlighting of texts facilitates orientation in the document.

- ✓ Identifies prerequisites that must be followed.
 1. Action step 1
 2. Action step 2: identifies an action step in an operating sequence that must be followed to ensure trouble-free operation.
 - ▷ Identifies the result of an action.
- ▶ Identifies the result of a complete action.
- ➔ Identifies a single action step or several action steps that are not in an operating sequence.

The highlighting of operating elements and software objects in texts facilitates distinction and orientation.

- <In square brackets> identifies operating elements, such as buttons, levers and (valves) stopcocks.
- "with quotation marks" identifies software display panels, such as windows, messages, display panels and values.
- **In bold** identifies software buttons, such as buttons, sliders, checkboxes and menus.
- **In bold** identifies input fields for entering text and/or numerical values.

1.7 Contact and source of supply

Only use original spare parts or spare parts approved by TOX® PRESSOTECHNIK.

TOX® PRESSOTECHNIK GmbH & Co. KG

Riedstraße 4

88250 Weingarten / Germany

Tel. +49 (0) 751/5007-767

E-Mail: info@tox-de.com

For additional information and forms see

www.tox.com

Draft

2 Safety

2.1 Basic safety requirements

The product is state of the art. However, operation of the product may involve danger to life and limb for the user or third parties or damage to the plant and other property.

For this reason the following basic safety requirements will apply:

- Read the operating manual and observe all safety requirements and warnings.
- Operate the product only as specified and only if it is in perfect technical condition.
- Remedy any faults in the product or the plant immediately.

2.2 Organizational measures

2.2.1 Safety requirements for the operating company

The operating company is responsible for compliance with the following safety requirements:

- The operating manual must always be kept available at the operation site of the product. Ensure that the information is always complete and in legible form.
- In addition to the operating manual, the generally valid legal and other binding rules and regulations must be provided for the following content and all personnel must be trained accordingly:
 - Work safety
 - Accident prevention
 - Working with hazardous substances
 - First aid
 - Environmental protection
 - Traffic safety
 - Hygiene
- The requirements and contents of the operating manual must be supplemented by existing national regulations (e.g. for prevention of accidents and for environmental protection).
- Instructions for special operating features (e.g. work organization, work processes, appointed personnel) and supervisory and reporting obligations must be added to the operating manual.

Draft

- Take action to ensure safe operation and make sure that the product is maintained in a functional condition.
- Only allow authorized persons access to the product.
- Ensure that all personnel work with awareness of safety and potential dangers with reference to the information in the operating manual.
- Provide personal protective equipment.
- Maintain all safety and information on dangers regarding the product complete and in legible condition and replace as required.
- Do not make any changes, carry out attachments or conversions to the product without the written approval of TOX® PRESSOTECHNIK. Action contrary to the above will not be covered by the warranty or the operating approval.
- Make sure that the annual safety inspections are carried out and documented by an expert.

2.2.2 Selection and qualifications of personnel

The following safety requirements are applicable for the selection and qualifications of personnel:

- Only appoint persons to work on the plant who have read and understood the operating manual, and in particular, the safety instructions before starting work. This is particularly important for persons who only work on the plant occasionally, e.g. for maintenance work.
- Only allow persons appointed and authorized for this work access to the plant.
- Only appoint reliable and trained or instructed personnel.
- Only appoint persons to work in the danger zone of the plant who can perceive and understand visual and acoustic indications of danger (e.g. visual and acoustic signals).
- Ensure that assembly and installation work and the initial commissioning are performed exclusively by qualified personnel who have been trained and authorized by TOX® PRESSOTECHNIK.
- Maintenance and repairs must be performed by qualified and trained personnel only.
- Ensure that personnel who are being trained, instructed or are in an apprenticeship can only work on the plant under the supervision of an experienced person.
- Have work on electrical equipment performed only by electricians or trained persons under the direction and supervision of an electrician in accordance with the electrotechnical regulations.

Draft

2.3 Fundamental hazard potential

Fundamental hazard potentials exist. The specified examples draw attention to known hazardous situations, but are not complete and do not in any way provide safety and risk awareness action in all situations.

2.3.1 Electrical hazards

Attention should be paid to electrical hazards particularly inside the components in the area of all assemblies of the control system and motors of the installation.

The following basically applies:

- Have work on electrical equipment performed only by electricians or trained persons under the direction and supervision of an electrician in accordance with the electrotechnical regulations.
- Always keep the control box and/or terminal box closed.
- Before commencing work on electrical equipment, switch off the main switch of the system and secure it against being switched back on inadvertently.
- Pay attention to the dissipation of residual energy from the control system of the servomotors.
- Make sure that the components are disconnected from the power supply when carrying out the work.

2.3.2 Thermal hazards

During operation piece parts may become hot and cause burns when touched.

Hazardous positions are generally marked with a symbol.

See Safety symbols

- Wear individual protective equipment.
- Before starting work, make sure that surfaces have cooled down sufficiently.

2.3.3 Pneumatic hazards

Attention must be paid to pneumatic hazards particularly on the pneumatic supply lines and connection points.

The following basically applies:

- Allow work to be carried out on pneumatic equipment by authorized service personnel only.
- Wear individual protective equipment.

Draft

- Do not exceed the permissible pressure.
- First switch on compressed air when all hose connections have been established and secured.
- Do not uncouple any hoses under pressure.
- If hoses slip off, switch off the compressed air supply immediately.

2.3.4 Contusions

Contusions and hand injuries can occur in the radius of action of the product.

The following applies generally:

- Make sure that that no persons are located in the danger area during operation.
- During necessary work in the danger area (e.g. maintenance, cleaning), secure the system against unexpected, accidental and unauthorized activation.
- Make sure that parts or tools cannot fall down or descend as a result of stored energy. Use appropriate fuses.

2.3.5 Hydraulic hazards

Attention must be paid to hydraulic hazards particularly on the supply lines, connection points and vent points.

The following applies generally:

- Allow work to be carried out on hydraulic equipment by authorized service personnel only.
- Wear individual protective equipment.
- Do not exceed the permissible pressure.
- Do not remove any hoses under pressure.
- Never vent hydraulic components under pressure.

Draft

2.3.6 Electromagnetic hazards

Electromagnetic hazards are to be taken into account in the area of electromagnetically vibrating or oscillating components.

Regular work on and with electromagnetically vibrating or oscillating components can cause disorders in the blood flow of the fingers as well as neurological and motoric dysfunctions.

The following applies generally:

- Wear protective anti-vibration gloves when performing necessary work!
- Electromagnetic fields can have an indirect effect on heart pacemakers and other implants. Adhere to safety distances.

2.3.7 Laser

Depending on the model and features, lasers can be installed for the purpose of recognition. There is a danger of looking into the laser in some situations. If this is not avoided, eye injuries may result.

The following applies generally:

- Do not look into the direct or the reflected beam.
- If the laser beam hits the eye, deliberately close the eyes and move the head immediately out of the beam.
- When using the laser, no optical instruments are to be used for viewing the source of the beam, since this can lead to exceeding the exposure limit values.
- Manipulation (modification) of the laser equipment is inadmissible.

2.3.8 Hazardous substances

The following safety requirements apply when handling chemical substances:

- Observe the applicable safety regulations on handling chemical substances and the information on the manufacturer's safety data sheets of hazardous substances.
- Wear individual protective equipment.
- In the event of eye or skin contact, rinse the affected area, change contaminated clothing and visit a doctor if necessary. Provide appropriate equipment (eye wash bottle, washbasin) near the workplace.
- Groundwater hazardous substances must not get into the ground or sewage system. Collect groundwater hazardous substances and dispose of them properly.

Draft

2.3.9 Noise

Depending on the equipment, an increase in the noise level can arise in the sphere of the product.

- Keep the duration of the exposure at a minimum.
- Wear individual protective equipment.

2.3.10 Lithium ion battery

Lithium ion (Li-Ion) batteries are a hazardous material.

The following safety requirements apply for handling:

- Check the battery before use for damage. Damaged Li-Ion batteries must no longer be used or charged.
- Do not drop batteries, throw them, subject them to shocks or other mechanical stress, which could lead to damaging the batteries.
- After a mechanical effect due to a crash, impact or contusion, the further use and charging of the battery is prohibited.
- Due to improper use, fluid (electrolyte) can escape from the battery. Avoid contact with liquids, and, in case of contact, thoroughly clean the affected point with water. If the liquid entered the eyes, contact a doctor immediately.
- If the operating period of a battery is found to lessen considerably, the use is to be stopped immediately and the battery is to be replaced. Otherwise there is the hazard of overheating and explosion.
- Ensure that the battery cannot be short-circuited.
- Do not subject the battery to rain nor dip it into conductive liquids (e.g. water, beverages, etc.).
- Do not burn batteries since the battery can explode at high temperatures in the fire.

Draft

3 About this product

3.1 Intended use

The hydropneumatic drive performs the strokes that are generally defined as fast approach stroke, power stroke and return stroke. The drive is intended for installation in machines or robot tongs with the following technical applications:

- Installing, pressing
- Punching, pressing (of function elements)
- Riveting, crimping, flaring
- Punching, piercing
- Embossing, marking
- Tensioning, clamping, crimping
- Pressing, compressing
- Clinching, joining

This incomplete machine may not be commissioned until it has been ascertained that the incomplete machine in which the component is to be installed complies with the requirements of the Machinery Directive (2006/42/EC).

3.1.1 Safe and correct operation

Intended use includes the following conduct:

- Only operate with the components for which it is specified.
- Follow all instructions in this operating manual.
- Comply with the specified maintenance intervals and perform maintenance work correctly.
- Operate in compliance with the conditions of the technical data.
- Operation with fully assembled and functional safety devices.
- Activities may only be carried out by persons who are qualified or authorized for this purpose.

Any other use or application beyond this does not come under the scope of intended use.

Draft

3.1.2 Safe and correct design and construction

The generated forces can be immense in case of different applications! This can lead to damage or breakage of material. This can cause dangerous situations during operation!

The following aspects are an intrinsic part of the intended design and construction:

- The design and construction must at all time guarantee that the maximum generated forces do not lead to the failure or to a breakage of system components.
- Especially during punching and hole applications must the dynamic forces be effectively limited.
- The dynamic forces must at no time exceed the maximum admissible (static) press forces in the direction of pressure and tension. These are specified for every drive of TOX® PRESSOTECHNIK.
- Dynamic forces must be limited with suitable precautionary measures to ensure that the admissible (static) press forces are not exceeded.
- Suitable precautionary measures can be as follows:
 - Dampings in the tool
 - Limit of the maximum accelerations,
 - Use of optional modules such as damping of cutting impact or press-in
 - etc.
- It must be ensured that there is no unauthorized, inadvertent, mistaken rise of the dynamic and static press forces and return stroke forces designed for the application during operation.

If the Powerpackage is to be installed in movable applications (movable carriages, robots, etc.), the maximum occurring acceleration and brake forces must not exceed the 5-fold of the dead weight of the Powerpackage. Higher brake forces can cause danger to the life and limb of the user and damage to the drive.

Non-observance of and non-adherence to the maximum admissible press forces and return stroke forces is not valid as intended use and is not permitted.

3.1.3 Foreseeable misuse

Use contrary to intended use includes the following foreseeable misuse:

- Operation under conditions that deviate from the technical data.
- Operation without fully assembled and functional connections.
- Operation without fully assembled and functional safety devices.
- Modifications to the product without prior approval by TOX® PRESSOTECHNIK and the approving authority.

Draft

- Incorrect parameterization.
- Execution of activities by persons who are not qualified or authorized to do so.

The operating company is exclusively responsible for all personal injury and property damage resulting from non-intended use. Non-intended use will not be covered by the warranty or the operating approval.

3.2 Product Identification

3.2.1 Position and content of the type plate

Designation on the type plate	Meaning
Type	Product designation
No.	Serial number
ΔV [ml]	Lowering volume Indicates the amount of oil that must be discharged again after completely filling.
P_{max}	Maximum pressure

Type code structure

Type key	Description
X-S 008. 3030. 100. 12	
X-S 008. 3030. 100. 12	Identifies the series type such as X-S, S, K, etc.
X-S 008 . 3030. 100. 12	Indicates the press force in [tons].
X-S 008. 3030 . 100. 12	Indicates the version.
X-S 008. 3030. 100 . 12	Indicates the length of the total stroke.
X-S 008. 3030. 100. 12	Indicates the length of the power stroke.

Draft

3.3 Function description of TOX® Powerpackage with mechanical spring

The drive works with a pneumatically operated cylinder with pneumohydraulic power stroke. At the same time, a closed oil cylinder and valve system is driven with compressed air, which is controlled in the same way as a double-acting pneumatic cylinder.

Compressed air is converted to oil pressure in the intensifier part to generate the necessary press force for the power stroke. In the working part, the oil pressure acts on the working piston.

The compressed air is also used for the fast approach of the working piston to the working position (fast approach stroke) and for the return to the home position (return stroke).

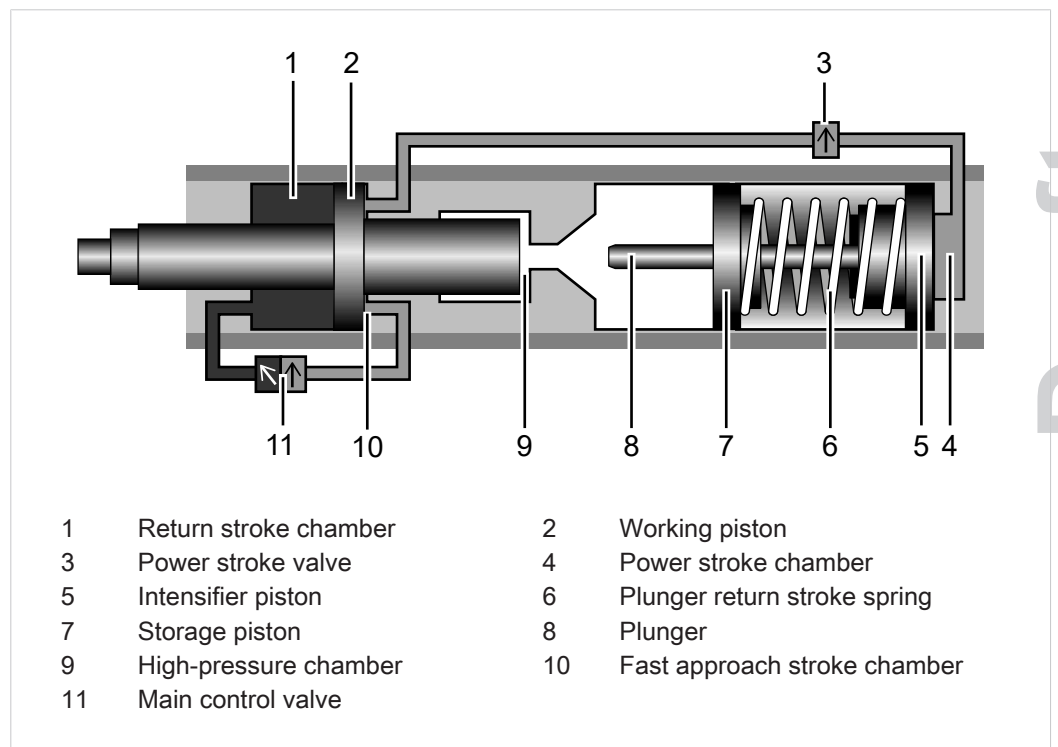


Fig. 1 Starting position

- In home position, the drive is controlled via the main control valve in the return stroke.
- The working piston is retracted.

Draft

Pneumatically operated fast approach stroke

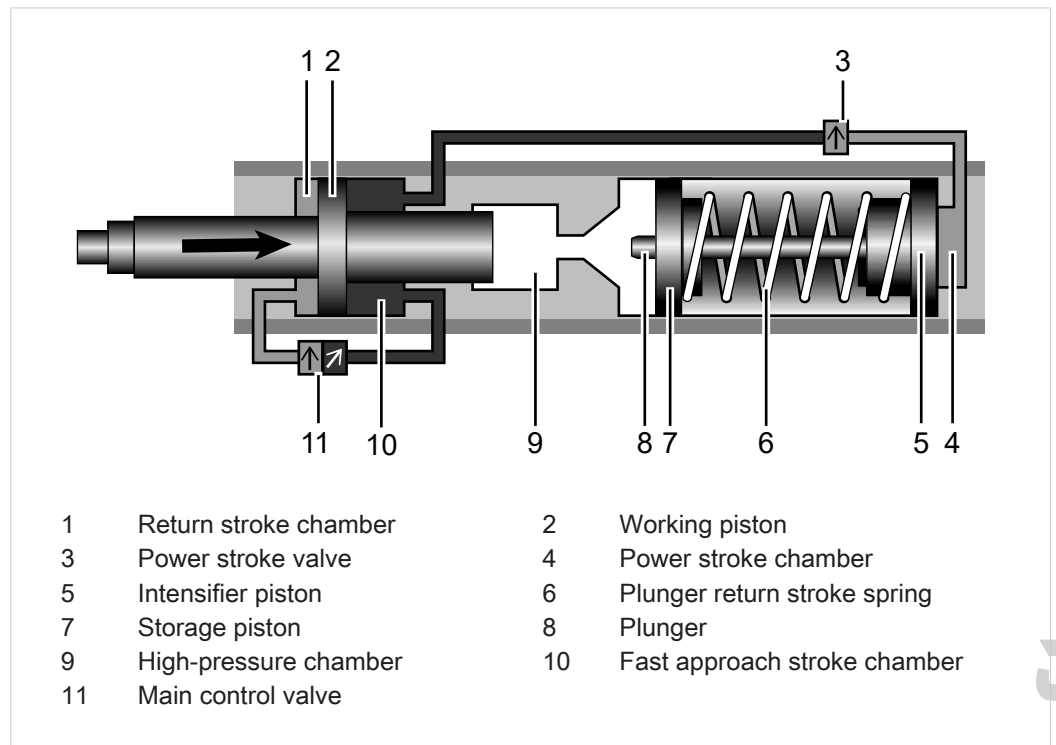


Fig. 2 Fast approach stroke

- After switching over the main control valve to forward stroke, compressed air enters the fast approach stroke chamber. The return stroke chamber is being vented.
- The power stroke valve is supplied with compressed air.
- The working piston extends with a fast approach stroke.
- The feed piston pushes hydraulic oil from the reservoir into the high pressure chamber activated by the mechanical spring.
- As soon as the working piston meets any resistance, it stops.
- The power stroke valve switches over independently to power stroke after a delay, depending on the air volume flowing out of the control throttle 'X'.

Draft

Pneumohydraulic power stroke

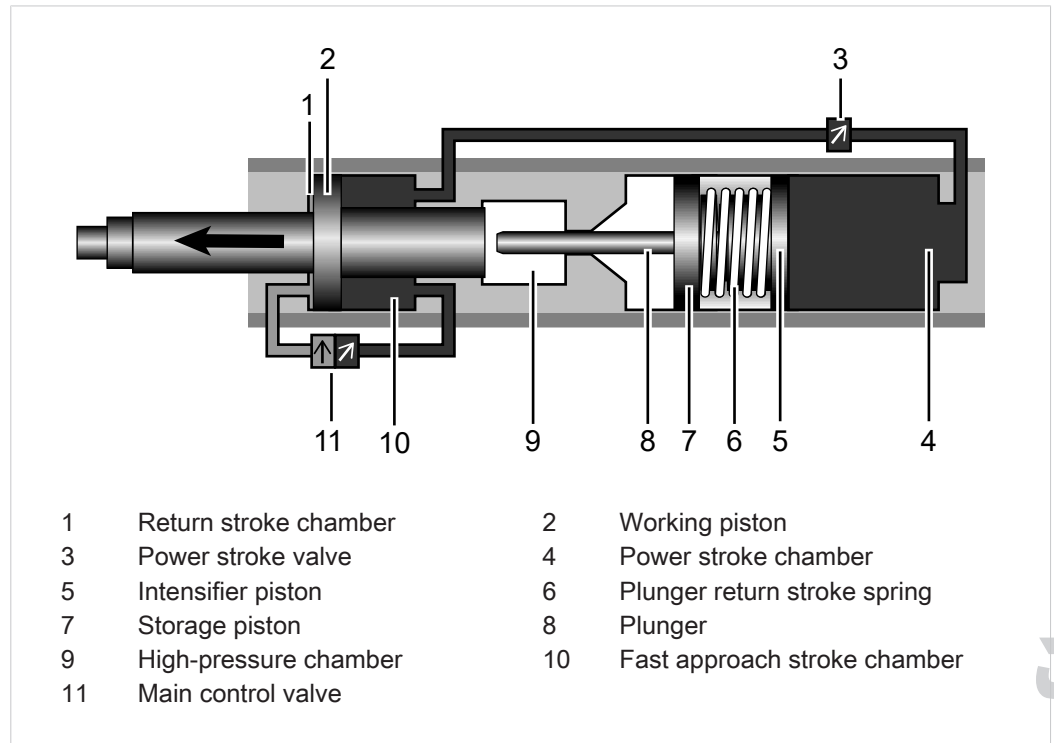


Fig. 3 Power stroke

- Compressed air from the forward stroke connection penetrates into the power stroke chamber of the intensifier piston via a connection line.
- The plunger passes through the high pressure seal and separates the oil chamber into a working area and an oil reservoir.
- A hydraulic pressure is generated in working area, which creates the power stroke via the working piston.

Draft

Return stroke

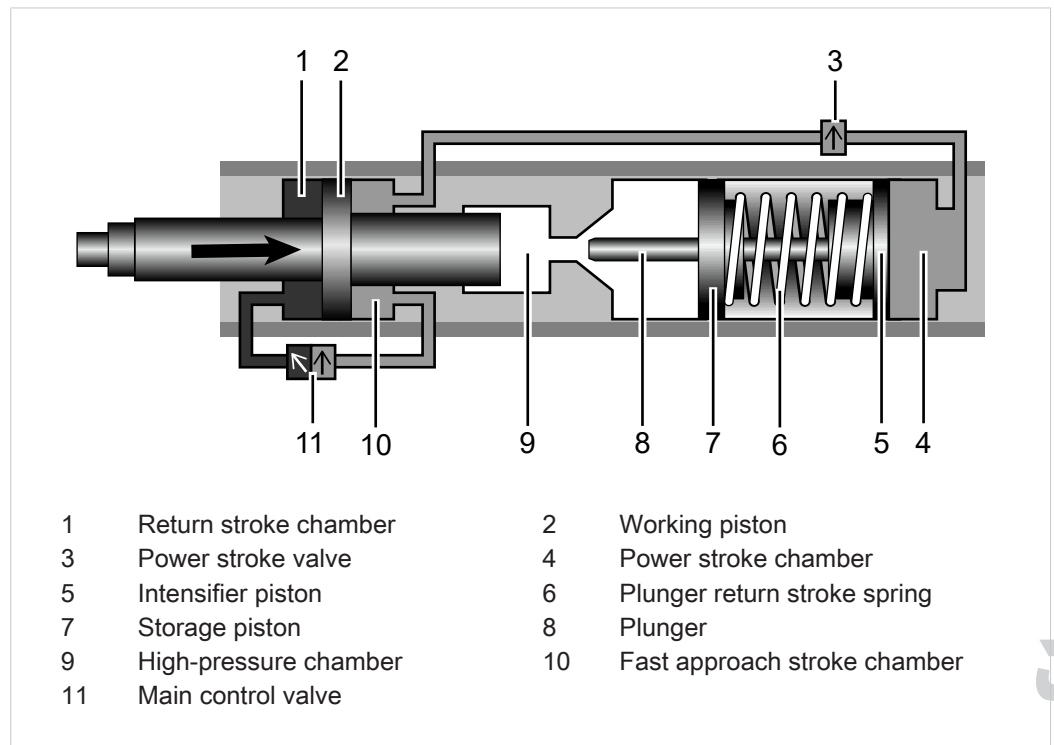


Fig. 4 Return stroke

- The main control valve is switched over to return stroke by a signal. The return stroke chamber is being filled with compressed air.
- As a result, the power stroke valve is vented and moved to the home position.
- The power stroke chamber of the intensifier piston is vented via the muffler and the return stroke is triggered.
- After the intensifier piston has released the high pressure seal, the working piston moves back to the home position.

Draft

3.4 Product overview of TOX® Powerpackage line-Q

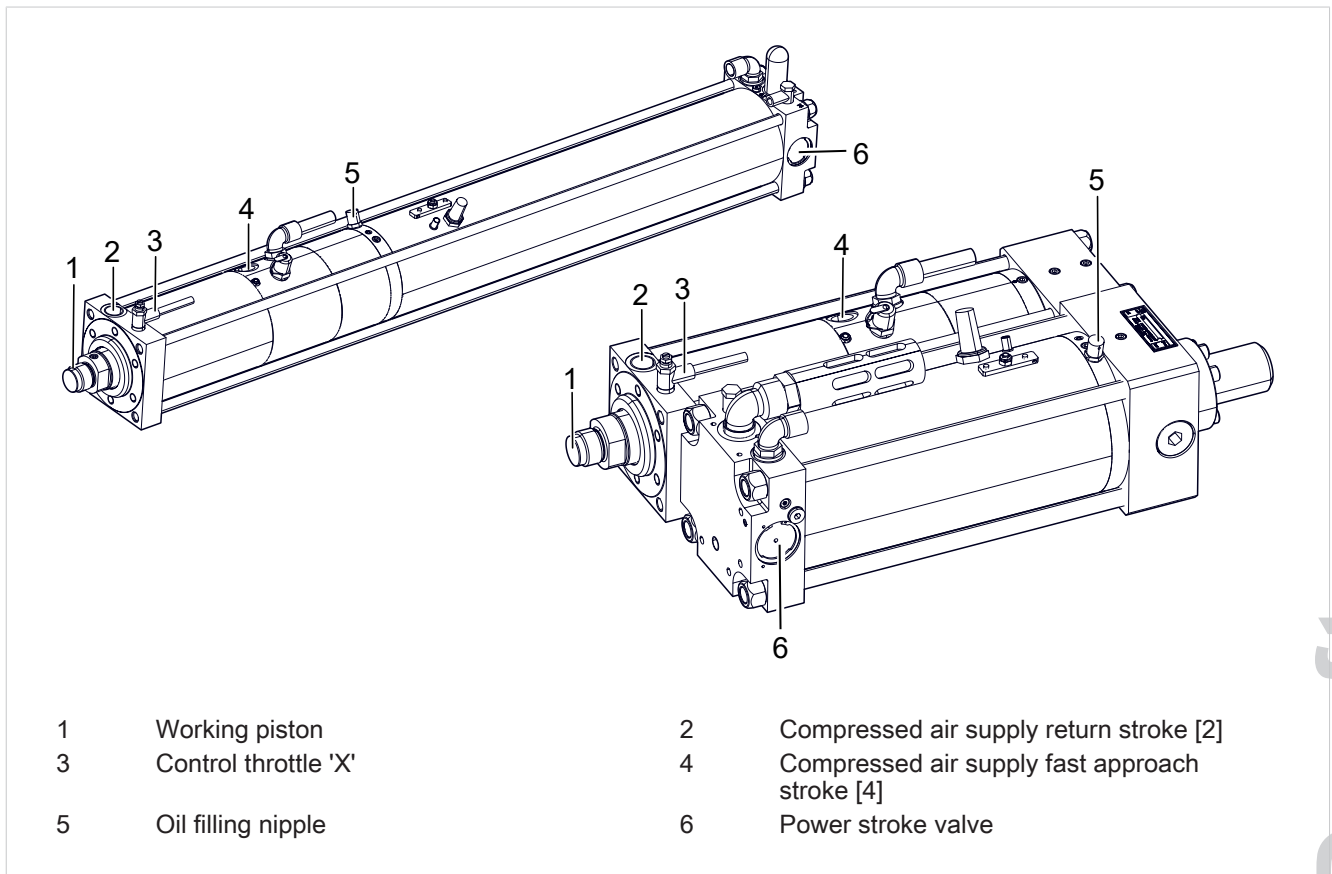


Fig. 5 Product overview of TOX® Powerpackage type Q-S, Q-K

For product versions and product attributes see the design and installation guideline.

3.4.1 Product attributes of Powerpackage line-Q

Type Q-S	Type Q-K
<ul style="list-style-type: none"> Intensifier and working part are interconnected with a tension rod in a sandwich construction. 	<ul style="list-style-type: none"> Intensifier and working part are connected with an intermediate flange (compact construction).
<ul style="list-style-type: none"> Including power stroke valve and control throttle 'X'. 	
<ul style="list-style-type: none"> Equipped with mechanical spring. 	
<ul style="list-style-type: none"> Including power bypass ZLB with hydraulic end position cushioning ZHD in the upper final position. 	
<ul style="list-style-type: none"> Including fixed stop with elastomer cushioning in the lower final position. 	
<ul style="list-style-type: none"> Prepared for stroke monitoring ZHU. 	
<ul style="list-style-type: none"> Prepared for external linear position sensor ZHW. 	

3.5 Optional equipment

3.5.1 Additional optional equipment

Type	Product attributes
ZHW	Travel measuring system <ul style="list-style-type: none"> The travel sensor indicates the absolute actual position of the piston. For external installation (for series line-Q and line-X to Q-S/Q-K 30, X-SX-K 30).
ZHU	Stroke monitoring <ul style="list-style-type: none"> Determines the position of the working piston during forward stroke and return stroke via the external sensor.
ZDK	Pressure regulation in power stroke line <ul style="list-style-type: none"> Make possible the individual adjustment of the press force with a manual pressure valve or electrical proportional valve.
ZKHZ	External power stroke connection <ul style="list-style-type: none"> Enables the connection of the power stroke valve with an electrically actuated 3/2-way valve.
ZWK	Tool coupling <ul style="list-style-type: none"> Connects the drive and tool flexibly to prevent transverse forces from affecting the drive.
ZDO	Electronic pressure switch <ul style="list-style-type: none"> Records the oil pressure in the high-pressure part as system pressure and visualizes it via a four-digit LED display. The set switching function allows 2 output signals to be created.
ZHO	Stroke frequency optimization <ul style="list-style-type: none"> Reduces the cycle time. Replaces the existing power stroke valve with one of the next size.
ZPS	Pressing force sensor <ul style="list-style-type: none"> Measures the press forces in the direction of the pressure.

For optional equipment, see data sheet and brochure TOX® Powerpackage.
<http://tox-pressotechnik.com/>

Draft

3.6 Product planning

3.6.1 Design data

Data sheet

For technical data and installation dimensions see data sheet.

(<http://www.tox-pressotechnik.de>)

3.6.2 Design principles

- When fastening, note the following:
 - Installation dimensions
 - Weight, including weight of the accessories
 - Press force
 - Loads caused by the working process (dynamics and vibrations)
- No transverse forces may act on the piston rod.
If necessary, use a linear guide for the working piston: either a ram plate and guiding columns or a guiding rail with guiding carriage.
- In the case of horizontal installation the connection side must face upwards.
- Elements requiring servicing maintenance, such as oil filling nipple, vent hole, high pressure measuring connection, control throttle, X' and oil level indicator should be accessible.
- Make sure that the ventilation of the hydraulic system is always possible even when installed.
- The space requirement for supply lines must be taken into consideration.
- The length of the hose lines, the connection of an oil pressure switch or oil pressure monitor can significantly reduce the power stroke.

Draft

3.6.3 Air consumption

- For the air consumption, the fast and return stroke are calculated with the available air pressure.
- The air requirement in the power stroke is calculated depending on the required press force.
For example, this depends on when the required oil pressure is reached.
- If the intensifier chamber is filled with complete air pressure, the air consumption can indeed be higher than the requirement that is actually needed and calculated.

In general, the specification for the air requirement includes all filling processes required for a stroke. The information only refers to the specific drive.

For hoses and valves - in particular for long hoses with large cross sections - which are filled and ventilated together with the drive, their consumption must also be considered when selecting a compressor.

The following applies here: Energy-saving are short lines from the valve to the drive.

When using pressure regulators (e.g. for the pneumatic spring), low internal air consumption cannot be avoided. This is usually in the range of a few liters per hour. Similarly, there might be air losses in the hose and valve connections. In order to avoid air losses, e.g. at night, the drive can be depressurized during this time.

WARNING

Risk of personal injury due to the lowering of the working piston

There is a risk of crushing when the working piston lowers.

The working piston of a Powerpackage / KT systems can only be held up with sufficient return stroke pressure and sufficient air supply during the installation in a press!

In the event of a compressed air failure, no return stroke will be initiated!

Depending on the size of the drive and the weight of the tool used, a slow lowering of the working piston is possible.

- Use a controlled check valve or holding brake (ZSL) or mechanical holding device, especially with large tool weights.
- If controllable valves are installed as pneumatic holding brake at the customer, the corresponding safety regulations are to be observed and adhered to.

3.6.4 Cycle times

The cycle time is calculated depending on the required press force. The following applies:

- The smaller the effective press force, the shorter the cycle time.
- An effective press force over 90 % should be avoided.
- The switching times of the valves and controls upstream of the drive must be taken into consideration for the specified cycle times.

Requirement for achieving the calculated times:

- **Air pressure**

The required air pressure is the result of the desired effective press force. To achieve a short cycle time, an air pressure as high as possible is recommended for fast and return stroke. If the maximum press force of the cylinder is to be reduced, this can be realized with a pressure control ZDK (manual or electric) in the power stroke line.

- **Cross-section of hose**

The line cross sections must at least match the connection sizes provided in order to achieve the calculated cycle time. This applies also to the regulation valves and maintenance units installed upstream of the drive. Reduced line cross sections can considerably reduce the cycle time. Reduced line cross sections can lead to oil leakages on the powerpackage, see [Avoidance of dynamic oil leakage, Page 30](#).

- **Tube lengths**

The length of the hoses should be kept to a minimum, since the air consumption as well as the cycle time are increased with the length.

- **Compressor performance**

The compressor performance should always be sized with sufficient safety.

- **Speed setting**

The speed can be regulated as required by installing throttle check valves in the fast approach stroke and return stroke lines (except for type RP, T). Furthermore, the speed of the power stroke can be adjusted by mounting a throttle in the power stroke line of the unit. The drive can thus also be used for special applications, such as pressing in bushes, projecting etc.

- **Optimization of stroke frequency ZHO**

The cycle time specifications correspond in general only to the entire drive under realistic conditions. If necessary, the cycle time can be further reduced using our optional accessory module ZHO.

3.6.5 Performance optimization

The ratio of the speed between the return stroke and the fast approach stroke must be set in order to ensure optimum performance.

- An optimum speed ratio between fast approach stroke and return stroke.
- A balanced power stroke speed.
- Adequately sized connection sizes (cross-section of hose, switching valves, maintenance unit) that prevent a reduction of the power stroke speed.

For technical data and installation dimensions see data sheet.

www.tox.com

3.6.6 Avoidance of dynamic oil leakage

The dynamic oil leakage is based on the physical effect of drag flow: the higher the speed, the thicker the oil film dragged along. In the case of an unfavorable speed ratio between the fast approach stroke and return stroke, an oil film could get into the pneumatic chambers of the TOX® Powerpackage.

The following applies:

- The ratio of the speed between the return stroke and the fast approach stroke must be set.
 - For setting the speed ratios, also the exhaust air dampers must be installed on the fast approach stroke connections and the return stroke connections.
- A balanced power stroke speed.
 - For the attuned power stroke speed an exhaust air damper must also be installed in the power stroke venting.
- For the throttled power stroke speed, the speed ratios between power stroke speed and venting of the power stroke must be set.
See [Installing the speed reduction for power stroke venting, Page 71](#).
- The power cross sections to the TOX® Powerpackage (hose cross sections, switching valves, maintenance unit) must at least meet the specifications in the type sheet.

For technical data and installation dimensions see data sheet.

www.tox.com


Draft

Setting speed ratio of return stroke to fast approach stroke

The speed of the working piston in the fast approach stroke and return stroke can be set with external exhaust air dampers on the forward stroke and return stroke. The exhaust air dampers may have to be retrofitted.

Type
line-Q
Necessary speed ratio
<ul style="list-style-type: none"> • Return stroke equally fast as fast approach stroke or • Return stroke faster than the fast approach stroke

Tab. 1 Necessary speed ratio


 A visual check of the speeds is generally sufficient.

1. Set speed ratio according to the specifications.
2. Perform test and check the speed visually.

Set the speed ratio between power stroke and power stroke venting (optional)

At throttled power stroke speed
Necessary speed ratio between power stroke and power stroke venting
<ul style="list-style-type: none"> • Power stroke speed equal to the return stroke speed of the intensifier piston or • Power stroke speed faster than the return stroke speed of the intensifier piston

Tab. 2 Necessary speed ratio

 A visual check of the speeds is generally sufficient.

1. Set speed ratio according to the specifications.
2. Perform test and check the speed visually.

Draft

3.6.7 Stroke limitation of the power stroke

For applications that require a fixed end stop, the total stroke of the drive can be limited.

For punch applications a limiting the travel of the power stroke must take place. The travel of the power stroke must be limited to a maximum of 80%.

The travel of the power stroke can be limited by:

- Stroke limitation in the tool.
- Stroke limitation by a set total stroke (fast approach stroke and power stroke).
- Stroke limitation by setting the total stroke length and cutting impact damping (ZSD).

Stroke limitation of the power stroke in the tool

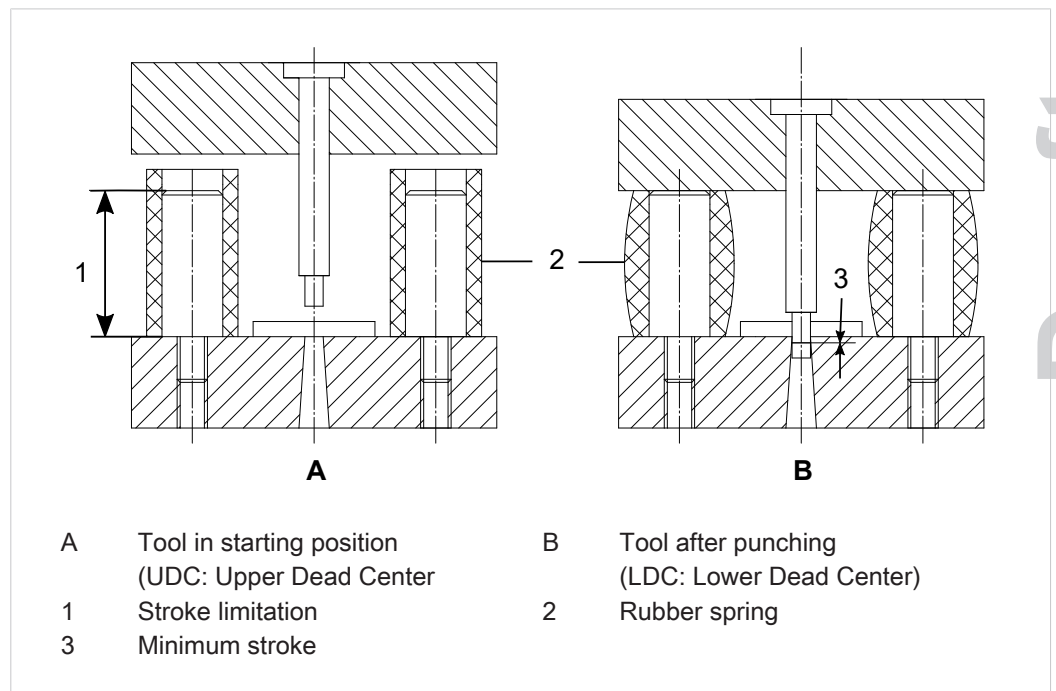


Fig. 6 Stroke limitation in the tool

After the punching process the tool limits the power stroke (LDC).

Stroke limitation due to use of the internal fixed stop

Aside from the stroke limitation in the tool, also the internal fixed stop in the drive at the end of the total stroke (fast approach stroke+power stroke) can be used.

If required, the total stroke can be reduced to the necessary total stroke when placing the order.

Draft

3.6.8 Speed reduction of the power stroke

The speed of the power stroke can be reduced if a control throttle is installed in the supply line for the power stroke.

To prevent a dynamic oil leakage, an additional exhaust throttle must be installed in this case so that the speed ratio can be adjusted.

See [Installing the speed reduction for power stroke venting, Page 71](#).

Draft

3.6.9 Horizontal installation Type K and Z

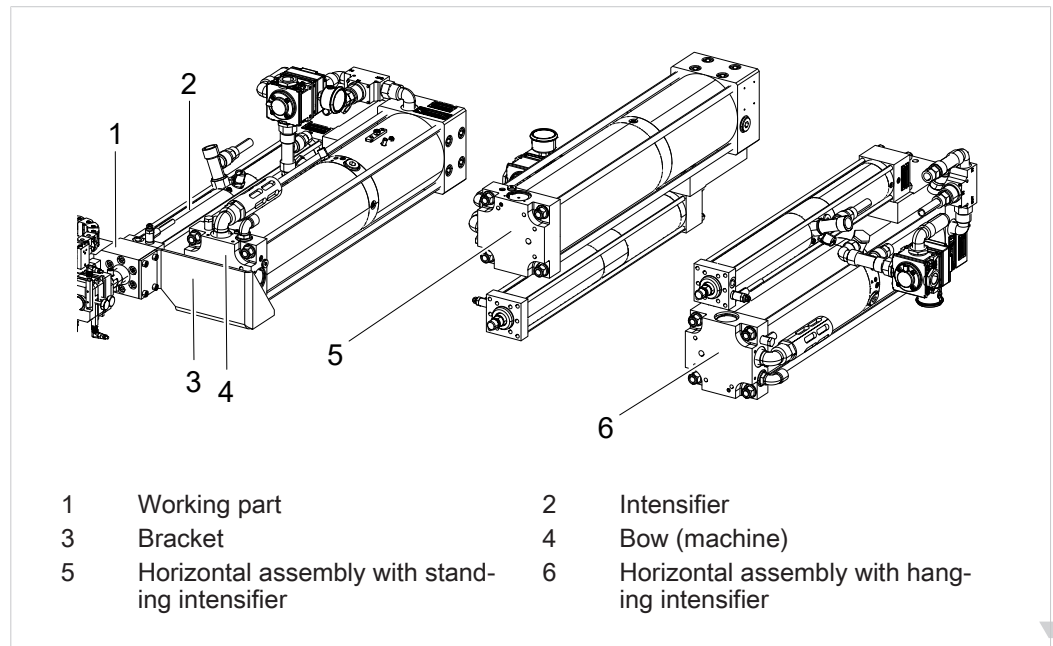


Fig. 7 Horizontal installation

For horizontal installation type K, Z the following applies:

- When the diameter difference between the working part and the intensifier part is large, the weight of the intensifier needs to be supported.
- The intensifier may only rest on the support device and must not be screwed onto the working part.



A horizontal assembly with a standing intensifier facing up or with a hanging intensifier facing down is preferable to a lateral assembly.

3.7 Activation and pressure control

3.7.1 Design principles of activation

A distance-dependent external power stroke switch is recommendable:

- For a piston rod working upwards.
- In the case of a heavy tool weight.
- In the case of fast approach stroke travel that is interrupted on account of the application (e.g. for fixing in place a spring-loaded holding-down clamp).
- If the control throttle 'X' cannot be adjusted for reasons of installation.

An external power stroke release with an electrical release signal is recommendable:

- If the power stroke release can accidentally be activated with the control throttle 'X' due to interference contours in the working area.

When depressurizing a pressure valve (pneumatic spring), the following applies:

- When the forward stroke connection and back stroke connection are switched, the compressed air supply of the pneumatic spring must also be turned off.

Measuring connection and control connection

The oil pressure proportional to the press force is present on the measuring connection and control connection.

This can be displayed, for example, by connecting a pressure gauge or used via transmission to a pressure switch for generating a switching pulse.

Draft

3.7.2 Activation according to dynamic pressure method

If the working piston meets a counterforce during the fast approach stroke, it stops and the dynamic pressure acting on the piston surface falls. The power stroke valve switches and the intensifier piston is impinged with compressed air. The changeover time is controlled and adjusted with the control throttle X.

The drive is actuated like a double-acting pneumatic cylinder, via an electrical, pneumatic or mechanical 4/2 or 5/2 directional control valve or via a 4/3 or 5/3 directional control valve.

The drive must be switched to initial position before changing over to the fast approach stroke.

Powerpackage with mechanical spring

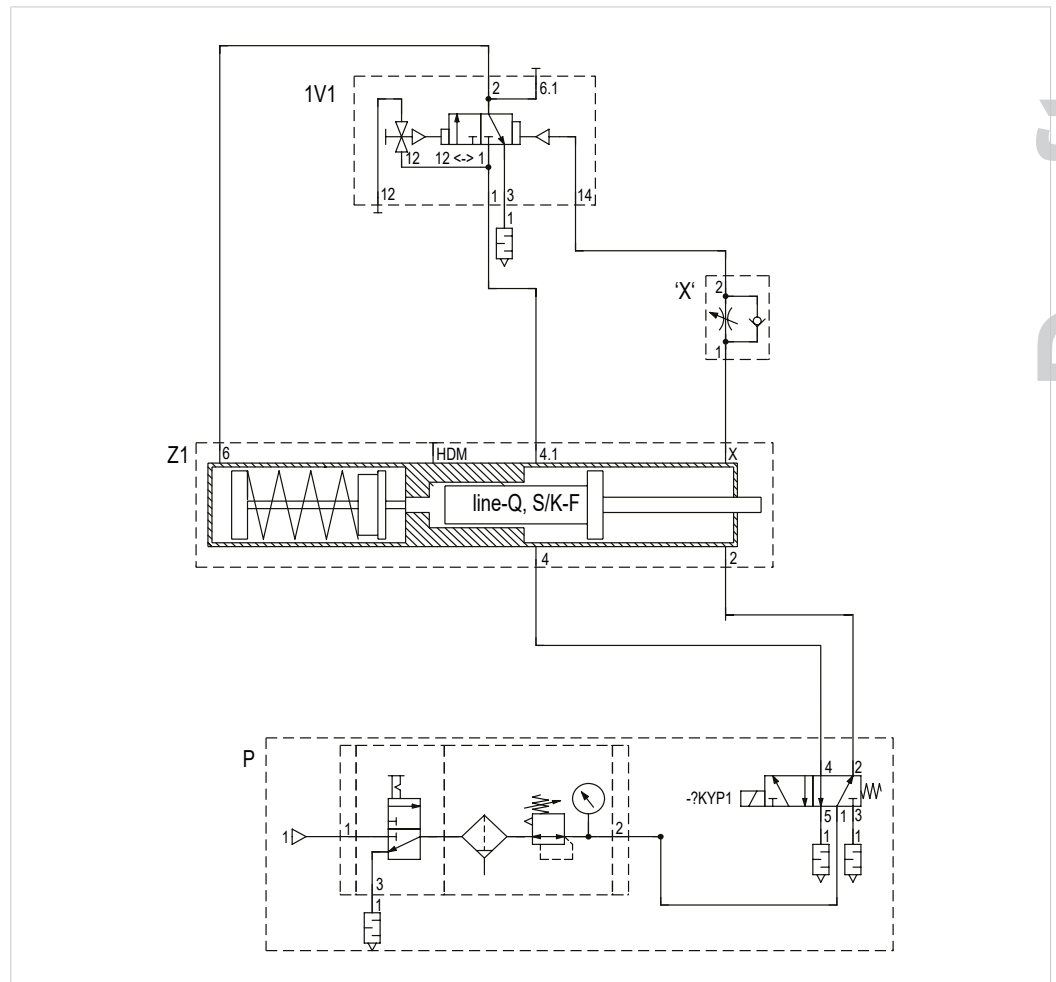


Fig. 8 Activation according to dynamic pressure method for Powerpackage with mechanical spring

Draft

Assembly	
1V1	Power stroke valve
	2 Power stroke output
	6.1 Power stroke signal
	14 Control connection
	3 Muffler output
	1 Power stroke input
	12 Control connection
'X'	Control throttle 'X'
Z1	Drive
	8 Plunger return stroke input
	4.2 Reservoir input
	4.1 Fast approach stroke output
	2.1 Return stroke output
	2 Return stroke input
	4 Fast approach stroke input
	HPM High pressure measuring connection
	6 Power stroke input
P	To be carried out by the customer: Compressed air supply and maintenance unit (not included in delivery)

Draft

3.7.3 Pressure control in the power stroke line (assembly ZDK) (optional)

A pressure valve in the power stroke line enables individual adaptation of the press force. No additional rapid vent valve is required. The required size depends on the size of the power stroke valve.

For installing the pressure regulation, see the operating manual, chapter Installation.

Powerpackage with mechanical spring

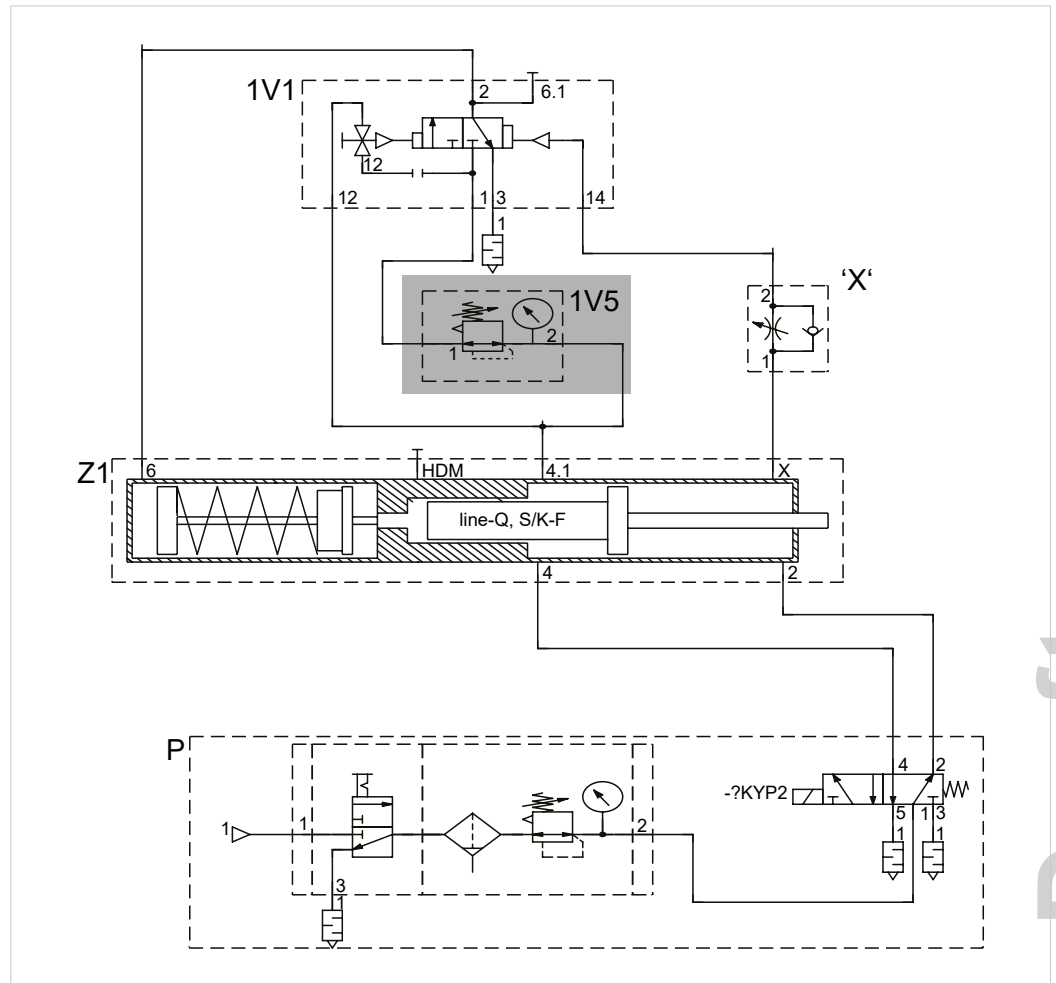


Fig. 9 Pressure control in the power stroke line (assembly ZDK)

	Assembly	
1V1	Power stroke valve	
	2	Power stroke output
	6.1	Power stroke signal
	14	Control connection
	3	Muffler output
	1	Power stroke input
1V5	Pressure regulator ZDK .2	
	1	Fast approach stroke input
	2	Power stroke output
'X'	Control throttle 'X'	
Z1	Drive	

Draft

Assembly	
	8 Plunger return stroke input
	4.2 Reservoir input
	4.1 Fast approach stroke output
	2.1 Return stroke output
	2 Return stroke input
	4 Fast approach stroke input
	HPM High pressure measuring connection
	6 Power stroke input
P	To be carried out by the customer: Compressed air supply and maintenance unit (not included in delivery)

3.7.4 Pressure control in the power stroke line with proportional pressure control valve (optional)

The electrical proportional valve in the power stroke line enables individual adaptation of the press force. No additional rapid vent valve is required. The required size depends on the size of the power stroke valve.

For installing the pressure regulation, see the operating manual, chapter Installation.

Draft

Powerpackage with mechanical spring

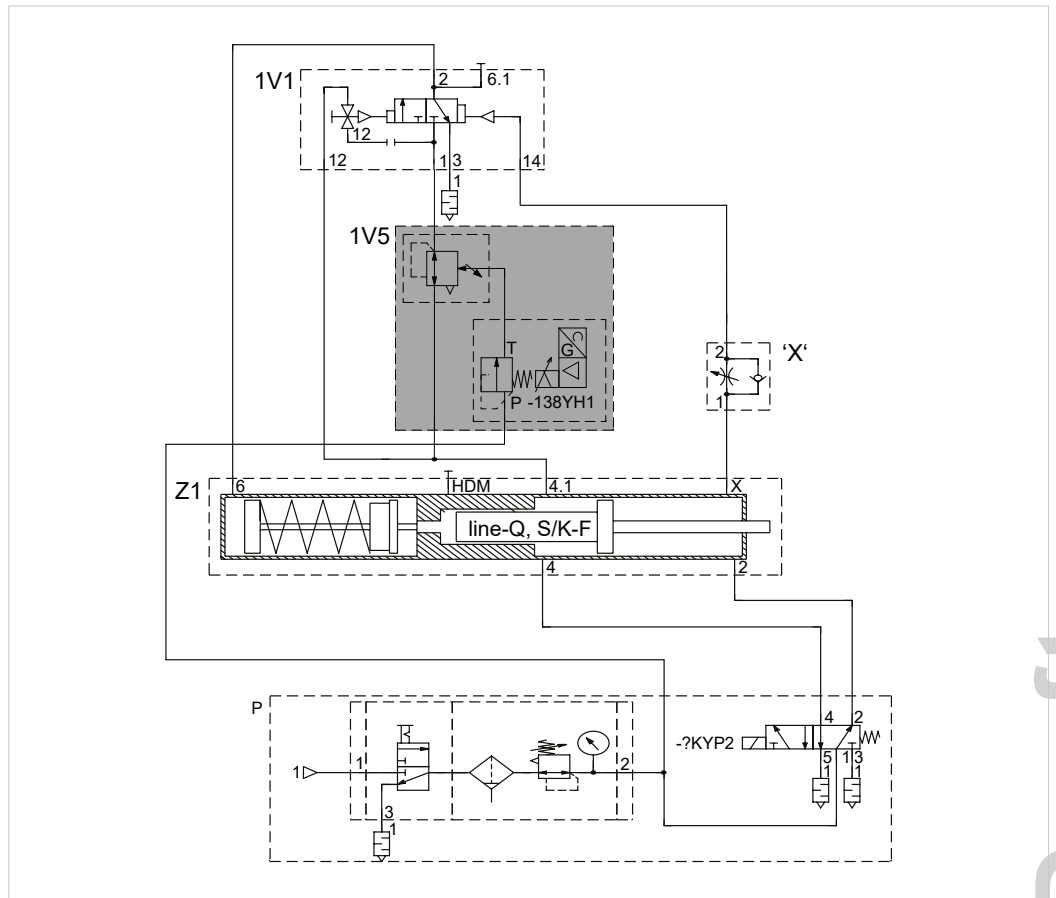


Fig. 10 Pressure control in the power stroke line with proportional pressure control valve

	Assembly	
1V1	Power stroke valve	
	2	Power stroke output
	6.1	Power stroke signal
	14	Control connection
	3	Muffler output
	1	Power stroke input
	12	Control connection
1V5	Pressure regulator ZDK .2	
	1	Fast approach stroke input
	2	Power stroke output
'X'	Control throttle 'X'	
Z1	Drive	

Draft

	Assembly	
	8	Plunger return stroke input
	4.2	Reservoir input
	4.1	Fast approach stroke output
	2.1	Return stroke output
	2	Return stroke input
	4	Fast approach stroke input
	HPM	High pressure measuring connection
	6	Power stroke input
P	To be carried out by the customer: Compressed air supply and maintenance unit (not included in delivery)	

3.7.5 External power stroke switch (assembly ZKHZ) (optional)

In the case of the external power stroke switch, the power stroke is initiated after reaching a particular distance or after a certain period of time.

With the external power stroke switch option, the power stroke valve can be switched using an electrically actuated 3/2-way valve.

An external power stroke switch can also be fitted retrospectively. The control system can be combined with a pressure regulator in the power stroke line.

The following is required:

- Permanent compressed air supply of the electrical 3/2-way valve with 3 to 6 bar (connection G 1/8").
- Electric switching signal (24 V) for switching the power stroke, e.g. a proximity switch ZHS 001 in combination with the stroke monitoring device ZHU, or output signal of a travel transducer ZKW/ZHW.
- Setting the position sensor of the stroke monitoring to the fast approach stroke end position to prevent an overload.

Draft

Powerpackage with mechanical spring

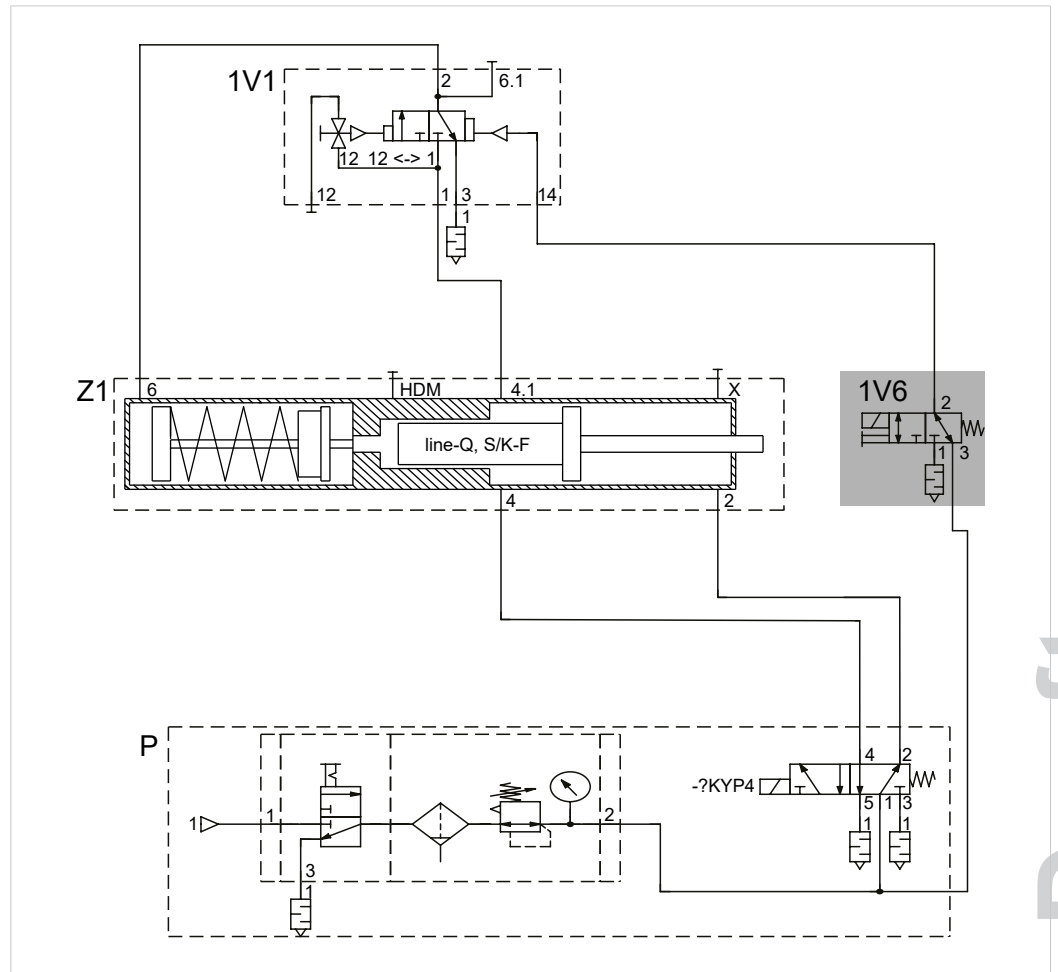


Fig. 11 External power stroke switch (subassembly ZKHZ)

	Assembly	
1V1	Power stroke valve	
	2	Power stroke output
	6.1	Power stroke signal
	14	Control connection
	3	Muffler output
	1	Power stroke input
1V6	Power stroke switch valve	
	1	Muffler output
	2	Output
Z1	Drive	
	3	Input

Draft

		Assembly
	8	Plunger return stroke input
	4.2	Reservoir input
	4.1	Fast approach stroke output
	2.1	Return stroke output
	2	Return stroke input
	4	Fast approach stroke input
	HPM	High pressure measuring connection
	6	Power stroke input
P	To be carried out by the customer: Compressed air supply and maintenance unit (not included in delivery)	

3.7.6 External power stroke deactivation (assembly ZKHD) (optional)

The power stroke can be deactivated with an electrical signal if necessary.

An external power stroke deactivation can also be fitted retrospectively. The control system can be combined with a pressure regulator in the power stroke line.

The following is required:

- Permanent compressed air supply of the electrical 3/2-way valve with 3 to 6 bar (connection G 1/8").

Draft

Powerpackage with mechanical spring

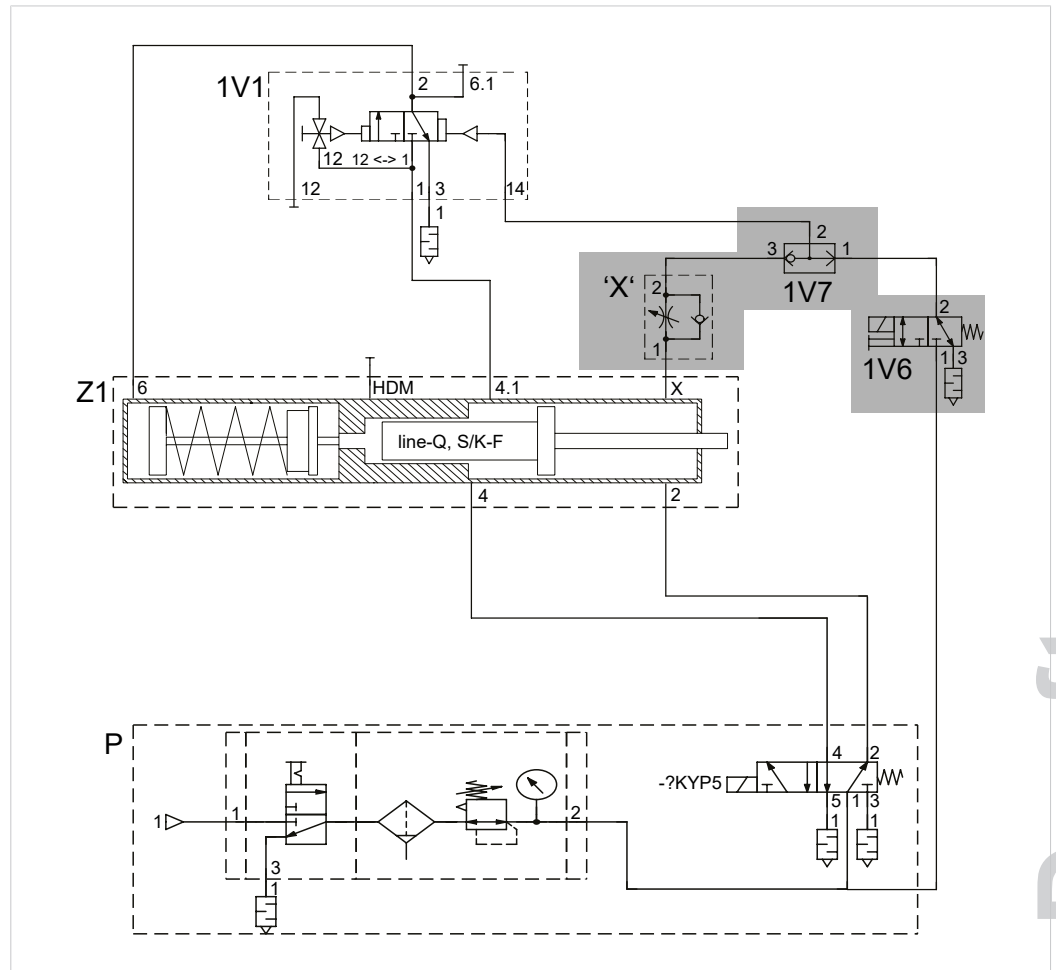


Fig. 12 External power stroke deactivation (assembly ZKHD)

	Assembly	
1V1	Power stroke valve	
	2	Power stroke output
	6.1	Power stroke signal
	14	Control connection
	3	Muffler output
	1	Power stroke input
1V6	Electrical switching valve	
	3	Input (release)
	2	Output
1V7	OR valve	
	3	Switching valve input
	1	Control throttle 'X' input
'X'	Control throttle 'X'	
	2	Output
Z1	Drive	

Draft

Assembly	
	8 Plunger return stroke input
	4.2 Reservoir input
	4.1 Fast approach stroke output
	2.1 Return stroke output
	2 Return stroke input
	4 Fast approach stroke input
	HPM High pressure measuring connection
	6 Power stroke input
P	To be carried out by the customer: Compressed air supply and maintenance unit (not included in delivery)

3.7.7 External power stroke release (assembly ZKHF) (optional)

The power stroke can be released with an electrical signal if necessary.

An external power stroke deactivation can also be fitted retrospectively. The control system can be combined with a pressure regulator in the power stroke line.

The following is required:

- Permanent compressed air supply of the electrical 3/2-way valve with 3 to 6 bar (connection G 1/8").

Draft

Powerpackage with mechanical spring

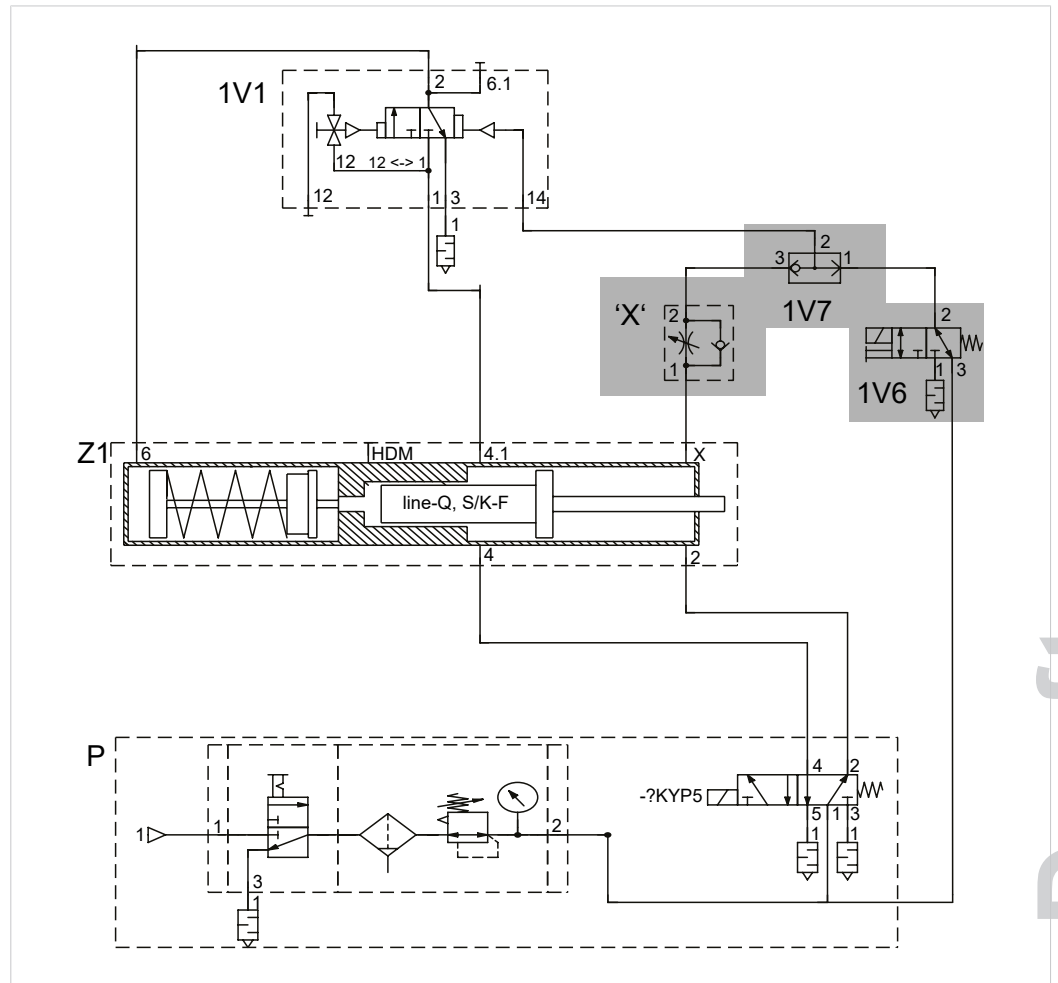


Fig. 13 External power stroke release (assembly ZKHF)

	Assembly	
1V1	Power stroke valve	
	2	Power stroke output
	6.1	Power stroke signal
	14	Control connection
	3	Muffler output
	1	Power stroke input
1V6	Electrical switching valve	
	3	Input (release)
	2	Output
1V7	OR valve	
	3	Switching valve input
	1	Control throttle 'X' input
'X'	Control throttle 'X'	
	2	Output
Z1	Drive	

Draft

	Assembly	
	8	Plunger return stroke input
	4.2	Reservoir input
	4.1	Fast approach stroke output
	2.1	Return stroke output
	2	Return stroke input
	4	Fast approach stroke input
	HPM	High pressure measuring connection
	6	Power stroke input
P	To be carried out by the customer: Compressed air supply and maintenance unit (not included in delivery)	

3.7.8 External power stroke supply (optional)

In the case of the external power supply, the power stroke valve is supplied with compressed air separately and independently from the fast approach stroke. The power stroke can be released by a dynamic pressure switch, an external power stroke switch (assembly ZKHZ), or by an external power stroke release (ZKHF).

If a power stroke deactivation (assembly ZKHD) is installed, the power stroke can be deactivated with an electrical signal if necessary.

The control system can be combined with a dynamic pressure switch, an external power stroke switch, an external power stroke release or a power stroke deactivation.

The following is required:

- External pressure supply at connection [1] of the power stroke valve.

Draft

Powerpackage with mechanical spring

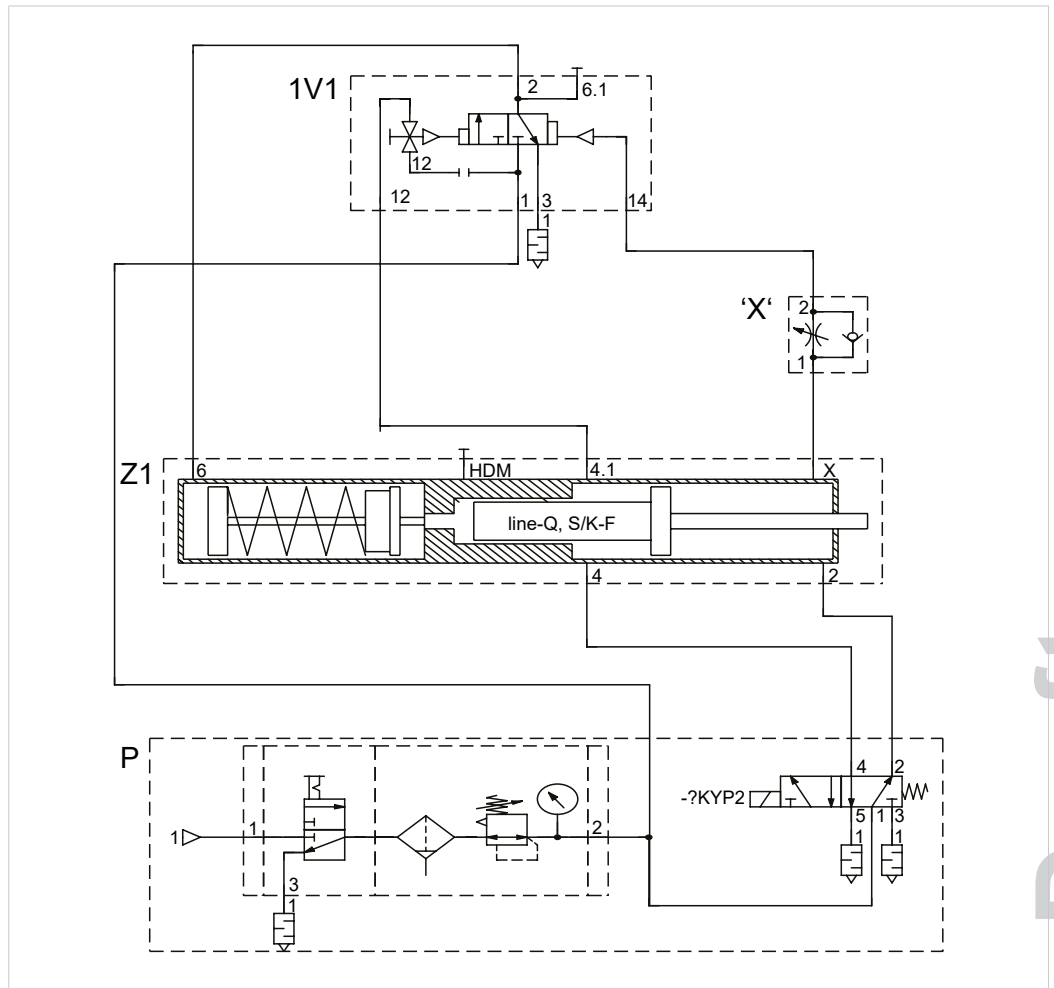


Fig. 14 External power stroke supply (optional)

	Assembly	
1V1	Power stroke valve	
	2	Power stroke output
	6.1	Power stroke signal
	14	Control connection
	3	Muffler output
	1	Power stroke input
	12	Control connection
'X'	Control throttle 'X'	
Z1	Drive	

Assembly	
	8 Plunger return stroke input
	4.2 Reservoir input
	4.1 Fast approach stroke output
	2.1 Return stroke output
	2 Return stroke input
	4 Fast approach stroke input
	HPM High pressure measuring connection
	6 Power stroke input
P	To be carried out by the customer: Compressed air supply and maintenance unit (not included in delivery)

Draft

4 Technical data

4.1 Type sheet and data sheet

For technical data and installation dimensions see data sheet.
www.tox.com

4.2 General environmental conditions

- The TOX® Powerpackage is protected against the penetration of liquids and contamination from the environment by means of seals, strippers and mufflers. However, the penetration of foreign substances during the use of dusty or strongly contaminated environment cannot be completely excluded.
The damages resulting from contamination during operation are not covered by warranty regulations.
- The penetration of water or other corrosive liquids must be prevented.
- No guarantee for use in environments with strongly corrosive environmental conditions such as increased salt content (maritime climate), cleaning with corrosive cleaning agents, or the use of high-pressure cleaners.
If the drives are used in a corrosive environment, TOX® PRESSOTECHNIK can supply drives in corrosion-protected design.
- The specified maximum admissible environmental temperature must not be exceeded to prevent damages to the sealing system and inadmissible expansion in the hydraulic system.
See [Ambient temperature, Page 50](#).
- The specified particle size and moisture for compressed air is to be adhered to.
See [Compressed air quality and pneumatic connection, Page 51](#).

4.3 Ambient temperature

Approved ambient temperature: 10 °C to 60 °C.

Draft

4.4 Compressed air quality and pneumatic connection

The following is required:

- Filtered and dried compressed air

Lightly oiled compressed air is permitted.

Compressed air quality (according to DIN ISO 8573-1):

Solids		Water dew point		Maximum Oil content	
Class	[μm]	Class	[$^{\circ}\text{C}$]	Class	[mg/m^3]
5	40	4	3	3	1

4.5 Tightening torques

4.5.1 Tightening torques for flange mounting the drive

Prescribed tightening torques for fastening screws of property class ISO 4762-12.9:

Thread size	Torque
M 6	17 Nm
M 8	40 Nm
M 10	80 Nm
M 12	135 Nm
M 16	340 Nm
M 20	660 Nm
M 24	1,130 Nm
M 30	2,250 Nm

4.5.2 Tightening torques on the piston rod

Tool coupling ZWK	Piston rod thread	Tightening torque
ZWK 001	M12 x 1.5	10 Nm
ZWK 002	M16 x 1.5	15 Nm
ZWK 004	M22 x 2.0	40 Nm
ZWK 008	M30 x 2.0	180 Nm
ZWK 015	M30 x 2.0	210 Nm
ZWK 030	M39 x 2.0	230 Nm
ZWK 050	M42 x 2.0	290 Nm
ZWK 075	M64 x 2.0	500 Nm
ZWK 200	M80 x 2.0	500 Nm

Draft

4.5.3 Tightening torques of pneumatic screw fittings on the Powerpackage

The specified tightening torques only apply to pneumatic screw fittings on the Powerpackage.

Connecting thread	Tightening torque
1/8"	10 Nm
1/4"	15 Nm
3/8"	25 Nm
1/2"	30 Nm

4.6 Press force table

Press force table see separate document.

4.7 Specification for hydraulic oil

The following oils are approved for standard application:

- Hydraulic oil HLP32 (according to DIN 51524-2), filtered < 5µm, load rating > 30 N/mm²
- Food grade oil Klüber Summit HySyn FG 32

The following hydraulic oils are approved with limitations for standard application:

- Hydraulic oil UCON™ LB-165
- Synthetic oil ISOTEX 46
- Synthetic oil Envolubric PC 46 NWL
- The use of hydraulic oils that have not been approved as standard can lead to an increase of maintenance intervals due to an increased intake of air.
- The use of hydraulic oils that have not been approved as standard can reduce the lubrication capacity lower than for HLP32 hydraulic oils. This can lead to a shorter lifetime of seals.
- Some sealing materials in case of hydraulic oils not approved as standard tend towards increased swelling and therefore to a reduced lifetime of the seals.

Draft

NOTE**Loss of warranty in case of the use of non-approved hydraulic oils!**

Due to the negative effects on maintenance intervals, swelling behavior and life-time of the seals in case of the use of hydraulic oils that have not been approved as standard, the granted warranty becomes extinct.

- Use hydraulic oils that have been approved by TOX® PRESSOTECHNIK as standard.
 - Use other hydraulic oils only after the express approval of TOX® PRESSOTECHNIK.
 - Do not mix different hydraulic oils. Negative effects such as flocculation cannot be excluded.
-

Draft

5 Transport and storage

5.1 Safety during transport

WARNING

Hazard from suspended loads!

Severe crushing, impacts and serious accidents as a result of improper transportation and falling load!

- Only use lifting gear that is appropriate and in perfect technical condition, as well as load attachment devices with an adequate safe working load.
- Never stand or work under suspended loads.
- Make sure that that no person is in the danger area.
- When transporting and setting down, make sure that no parts of the body become jammed.
- Wear suitable personal protective equipment (e.g. safety boots).

CAUTION

Injury from toppling and falling products!

- Secure product from toppling, falling and accidentally moving.

- The transportation may only be carried out by authorized personnel.
- The product may only be transported with empty liquid containers.
- The product may only be transported with the transport pallet or transport device provided.
- The product may only be lifted with suitable lifting devices at suitable lifting points.
See Safety symbols.
- Note the weight of the product.
See technical data sheet.
- Note the center of gravity of the product.
See general arrangement drawing.

5.2 Lifting device

Depending on the size of the drive, the flange cover at the rear is provided with threaded bore holes for ring bolts for hoisting.

WARNING

Risk of impact and crushing due to products swivelling out!

Severe impacts, crushing, and serious accidents as a result of the product rotating and swiveling out.

- Pay attention to the center of gravity and pivot point.
- Establish a V-shaped suspension connection in the center of gravity between the ring bolts.
- If there are no threaded holes, suspend the ring bolt between the working part and intensifier.
- Lift up the product carefully.

5.3 Temporary storages

- Use original packaging.
- Make sure that all connections and threads are covered to prevent dust ingress and shocks.
- Store the product only in closed, dry, dust-free and dirt-free rooms at room temperature.

5.4 Dispatch for repair

To dispatch the product for repair to TOX® PRESSOTECHNIK, please proceed as follows:

- Fill in the "Accompanying repair form". This we supply in the service sector on our website or upon request via e-mail.
- Send us the completed form via e-mail.
- Then you will receive the shipping documents from us via e-mail.
- Send us the product with the shipping documents and a copy of the "Accompanying repair form".

For contact data see [Contact and source of supply, Page 11](#) or www.tox.com.

Draft

6 Installation

6.1 Safety during installation

The installation may only be carried out by trained and authorized personnel.

DANGER

Electrical hazards in case of contact with live parts!

Electric shock, burns or death in case of contact with live parts!

- Have all work on the electrical equipment performed by an electrician.
- Disconnect power supply.
- Wait for residual energy to dissipate safely (at least 3 minutes).

WARNING

Ejecting parts and compressed air from compressed air conducting lines!

Serious injuries to eyes and body cavities!

- Always connect and disconnect lines without pressure.
- Pay attention to maximum permitted pressures.
- Wear individual protective equipment.

CAUTION

Tripping points from laid supply lines!

Injuries from tripping and falling!

- Avoid tripping points when setting up.
- Mark unavoidable tripping points with warning sign.

Draft

6.2 Installing drive

Material required:

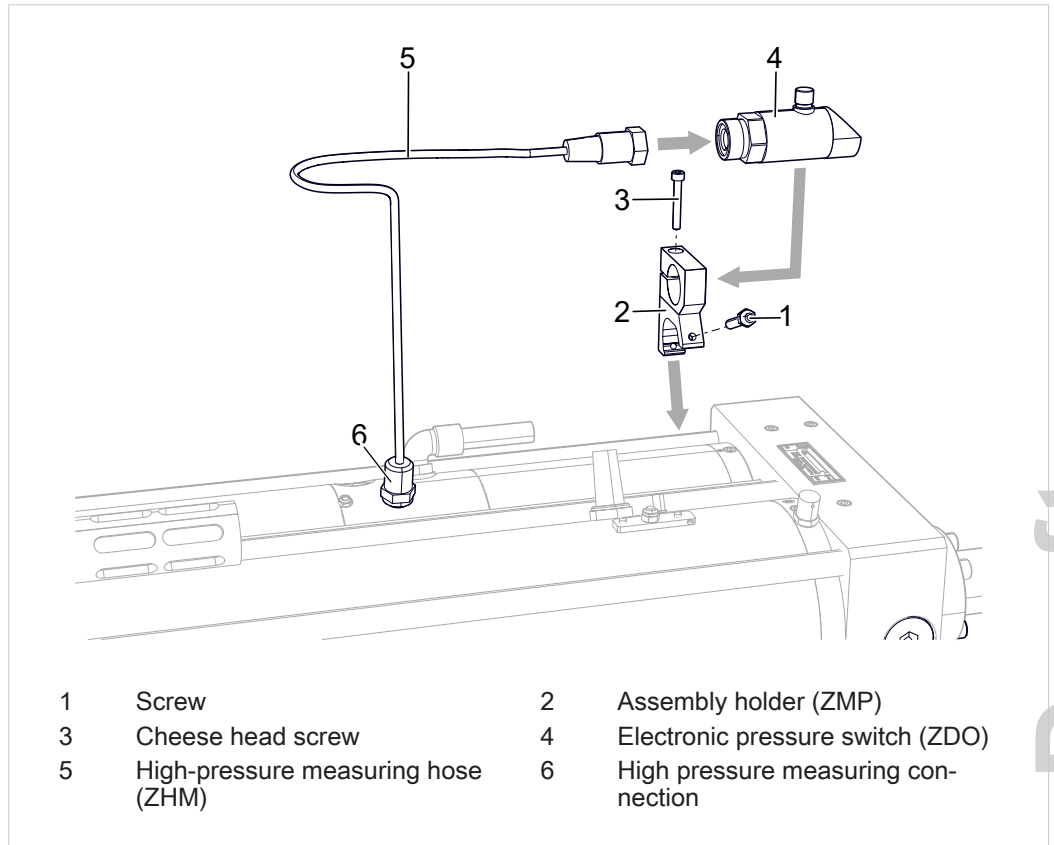
- Screws of the strength class : 12.9 (in accordance with ISO 4762)
- Torque wrench

1. **WARNING!** Risk of crushing! Attach lifting device (ring bolts) and use appropriate lifting gear.
Place and align drive on the fastening element provided.
2. Tighten screws, observe torques while doing so.
See [Tightening torques, Page 51](#).

Draft

6.3 Installing optional accessories

6.3.1 Installing electronic pressure switch (ZDO)



Material required:

- Electronic pressure switch (ZDO)
- Assembly holder (ZMP)
- High-pressure measuring hose (ZHM)

NOTE

Air trapped in the connecting line!

Air could get into the high pressure chamber, impair the working process and distort the measuring result.

➔ Fill connecting line with oil and vent.

Draft

- ✓ Make sure that the system is depressurized and disconnected from the power supply.
 - ✓ Observe the tightening torques.
See [Tightening torques, Page 51](#).
1. Install assembly holder of pressure switch on the drive. Make sure that display and operating elements are easily accessible.
 2. Fasten the pressure switch in the assembly holder.
 3. Install high pressure hose on the pressure switch and on the high pressure measuring connection.
 4. Connect cable of the pressure switch on the control system according to circuit diagram.
See pressure switch ZDO operating manual.

Draft

6.3.2 Installing and setting position sensors of stroke monitoring for forward and return stroke (ZHU)

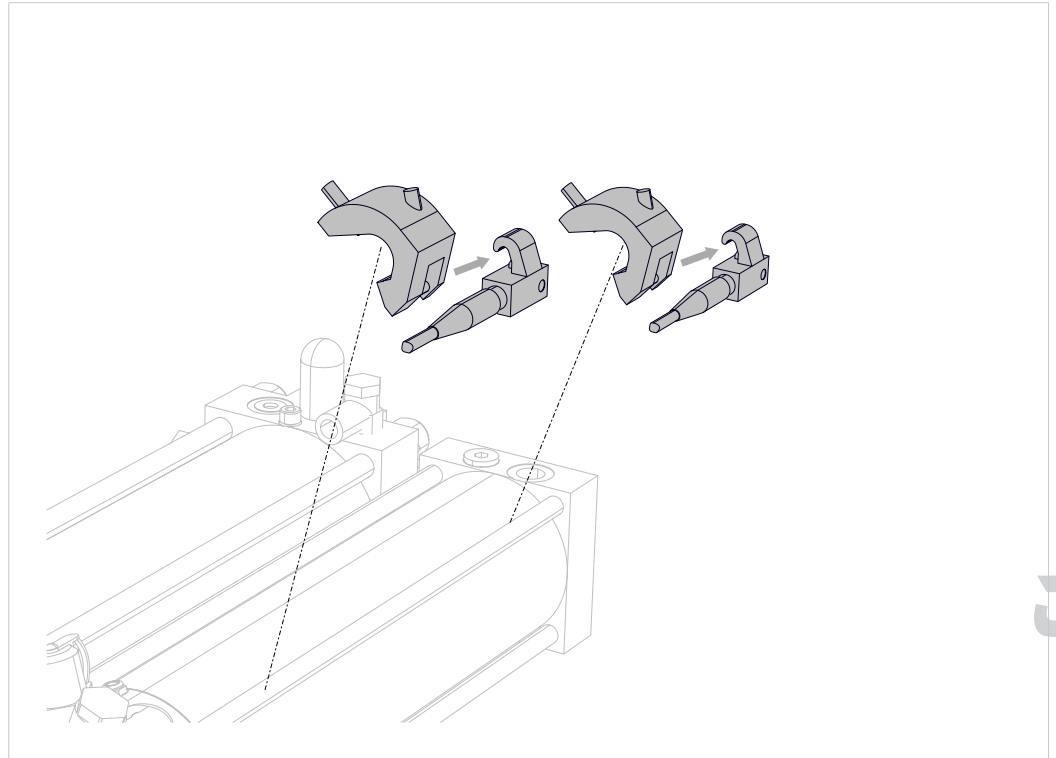


Fig. 15 Installing position sensors for stroke monitoring for forward and return stroke

Material required:

- Magnet-sensitive proximity switch with LED (ZHS 001.001)
- Holding angle for proximity switch
- Cable box

1. Installing holding angle.
2. Installing proximity switch.
3. Connect the proximity switch to the control.
See circuit diagram.

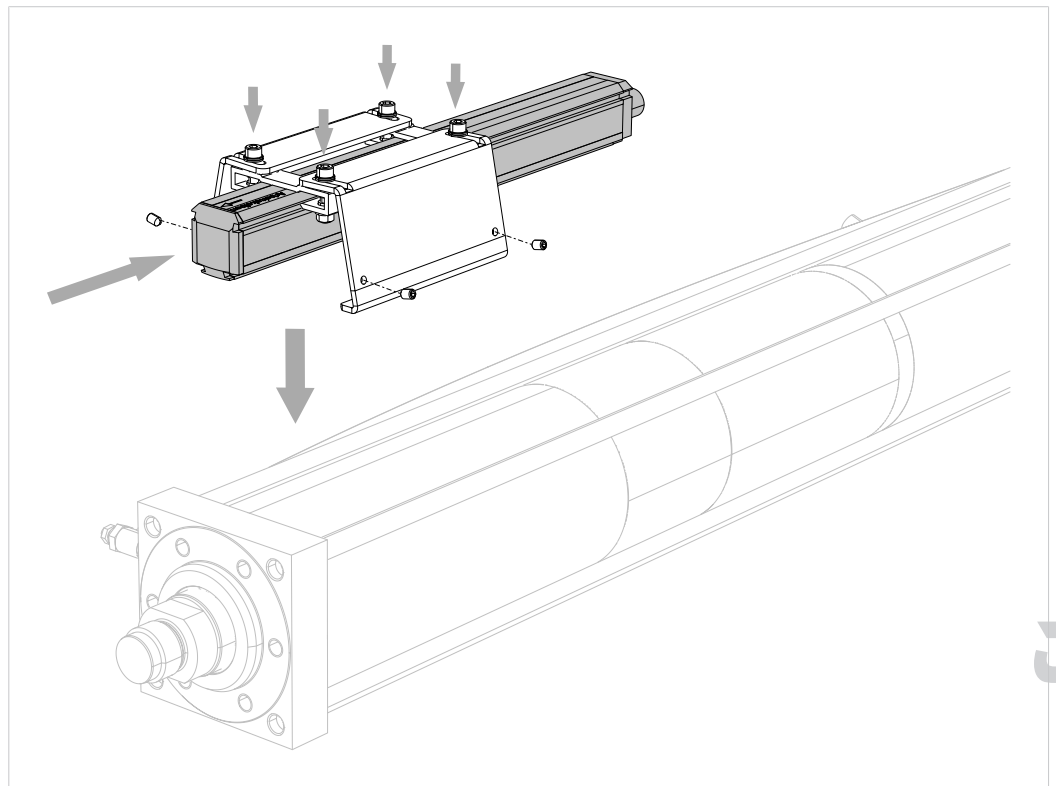
Draft

Setting the position sensors

- ✓ Proximity switches are connected.
 - ✓ Working piston in home position.
1. Push the proximity switch from the edge of the cylinder to the first switch-on point.
 - ▷ The LED lights up.
 2. Mark the edge of the proximity switch on the cylinder.
 3. Push the proximity switch further to the switch-off point.
 - ▷ The LED switches off.
 4. Push the proximity switch back to the 2nd switch-on point.
 - ▷ The LED lights up.
 5. Mark the edge of the proximity switch on the cylinder.
 6. Position and fix the proximity switch between the two markings.

Draft

6.3.3 Installing the external linear position sensor (ZHW)



Material required:

- i Prerequisite for the installation of the external linear position sensor:
 - TOX® Powerpackage type line-Q, line-X or RZS
 - 20 mm stroke reduction either positioned inside in the Powerpackage or
 - positioned outside the tool
- Linear position sensor (ZHW)
- Holding angle for linear position sensor

Draft

- ✓ The operating manual of the linear position sensor is available.

NOTE**Risk of damage to the device due to incorrect installation and connection!**

- ➔ The specifications of the operating manual of the manufacturer are to be adhered to.

1. Installing holding angle.
2. Insert the linear position sensor into the holding angle. Ensure that the position sensing system with contact bears against the front flange.
3. Adjust position sensing system. Ensure that for ZHW 002/004/008/015 there is a distance between the front flange and front edge of the travel sensor of 2 +/-0.05 mm, and for ZHW 030 a distance between the front flange and front edge of the travel sensor 14 +/-0.05 mm.
4. Ensure the parallel alignment of the position sensing system to the longitudinal axis.
5. Fix the position sensing system with set screws to the tension rods to prevent it from shifting. Tightening torque: 2 Nm.
6. Secure the set screws with the hexagon nuts and with safeguarding lacquer.
7. Connect the position sensing system to the control.
See circuit diagram and operating instructions of the position sensing system.

Draft

6.3.4 Installing pressure control in the power stroke line (ZDK)

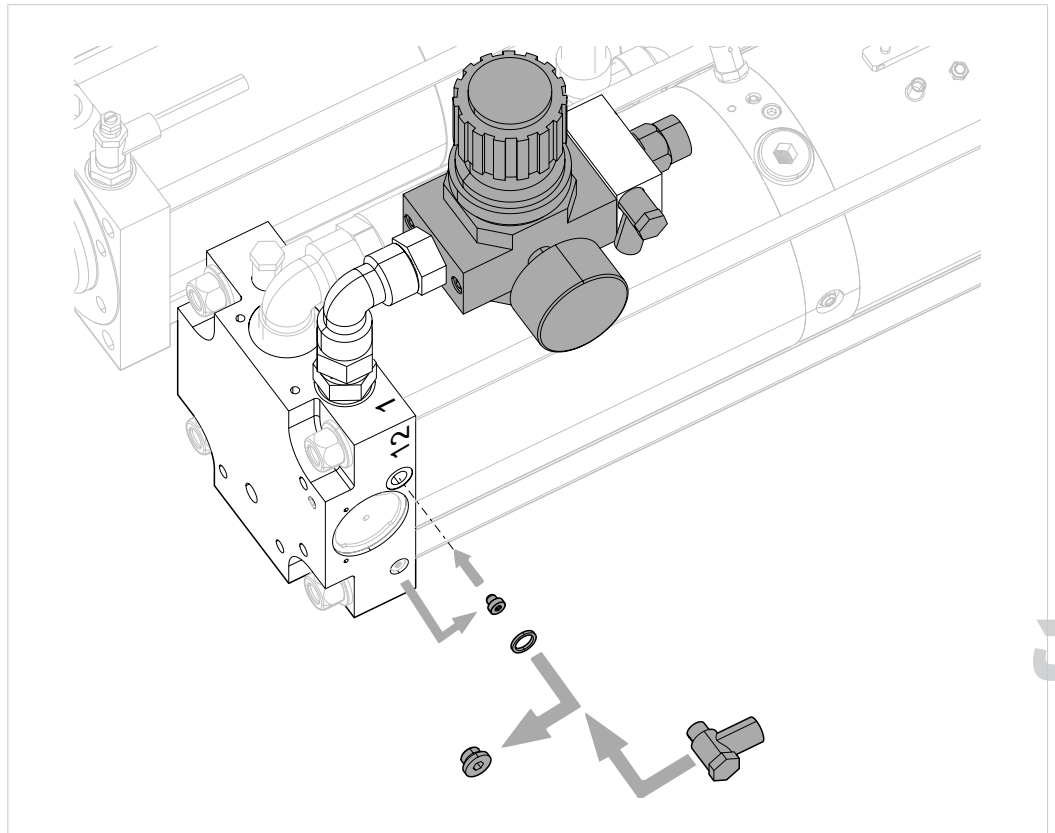


Fig. 16 Installing pressure control in the power stroke line (assembly ZDK)

Material required:

- Manual pressure regulator (ZDK)
- Screw plug with collar, size M 5 (laterally on power stroke valve next to connection [12])

Draft

- ✓ For connections see [Pressure control in the power stroke line \(assembly ZDK\) \(optional\), Page 37](#).
- 1. Remove the screw plug on the control connection [12].
 - ▷ The lower positioned M 5 threaded hole is set free.
- 2. Remove the M5 screw plug from the par position.
- 3. Screw the M 5 screw plug fully into the lower positioned M 5 threaded hole of the control connection [12].
 - ▷ The M 5 threaded hole in power stroke valve is closed.
- 4. Connect control connection [12] on the power stroke valve to output of fast approach stroke [4.1] or connection [4.4] on the pressure regulator. In addition, install hose line and seal.
- 5. Install pressure regulator on power stroke input [1].
- 6. When installing a proportional pressure regulator, connect it to the control. See data sheet, or circuit diagram.

Draft

6.3.5 Installing external power stroke connection (ZKHZ)

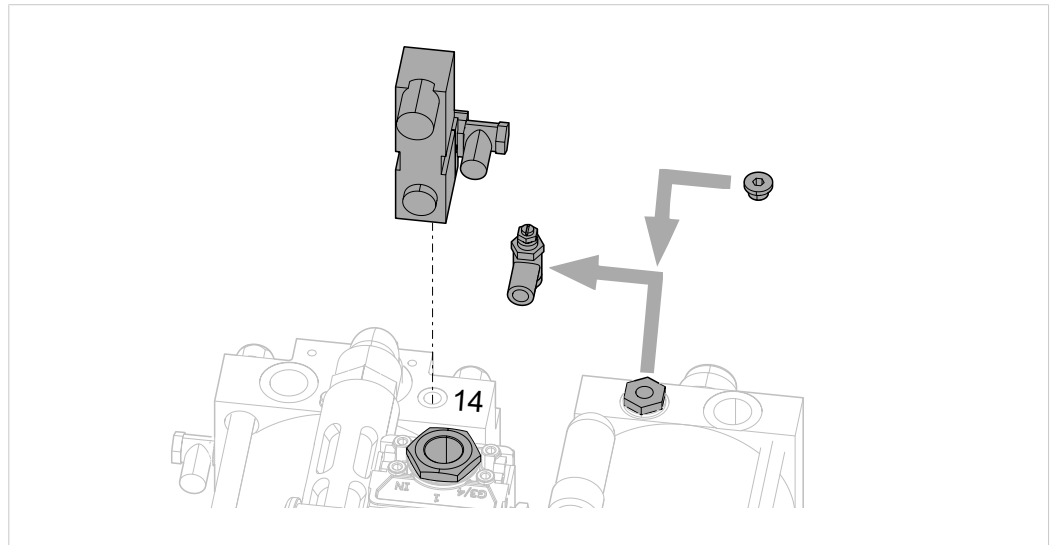


Fig. 17 Installing external power stroke connection (ZKHZ)

Material required:

- Electrical switching valve power stroke switch (ZKHZ)
- Screw plug

✓ For connections see [External power stroke switch \(assembly ZKHZ\) \(optional\), Page 41](#).

1. Disassemble control throttle 'X'.
2. Connect the control throttle 'X' connection to screw plug.
3. Install power stroke switch to connection of the power stroke valve [14].
4. Connect the power stroke switch to permanent compressed air supply.
5. Connect the power stroke connection to the control.
See circuit diagram.

Draft

6.3.6 Installing external power stroke release (ZKHF) and power stroke deactivation (ZKHD)

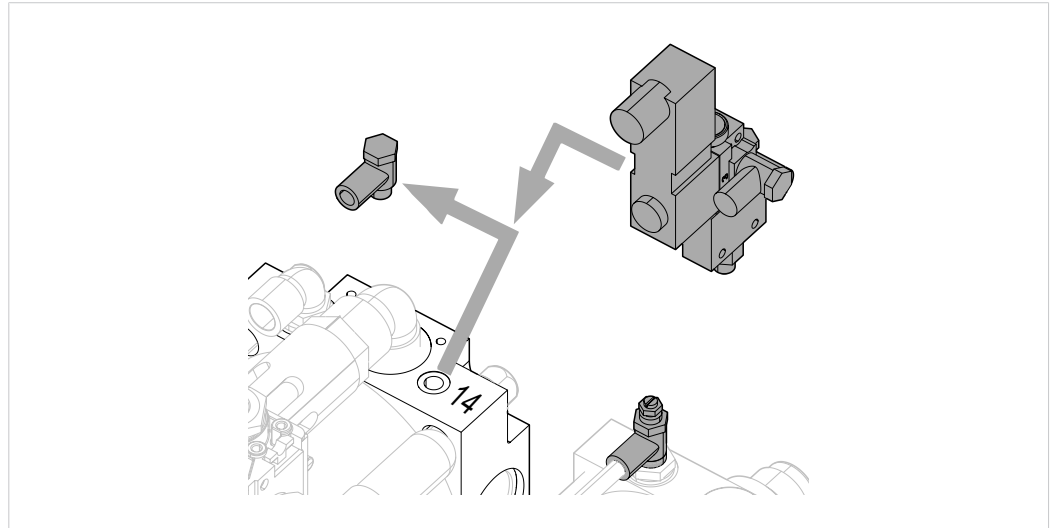


Fig. 18 Installing external power stroke release (ZKHF) and power stroke deactivation (ZKHD)

Material required:

- Electrical switching valve power stroke release (ZKHF) and power stroke deactivation (ZKHD) with pneumatic OR valve

Installing the external power stroke release (ZKHF)

- ✓ For connections see [External power stroke deactivation \(assembly ZKHD\) \(optional\), Page 43.](#)

1. Install switching valve power stroke release and power stroke deactivation with OR valve on control connection [14].
2. Connect line of the control throttle 'X' to the OR valve.
3. Connect pneumatic input [3] of the switching valve to compressed air supply.

Installing the external power stroke deactivation (ZKHD)

- ✓ For connections see [External power stroke deactivation \(assembly ZKHD\) \(optional\), Page 43.](#)

1. Install switching valve power stroke release and power stroke deactivation with OR valve on control connection [14].
2. Connect line of the control throttle 'X' to the OR valve.
3. Connect pneumatic input [1] of the switching valve to compressed air supply.

Draft

6.3.7 Preparing external power stroke supply

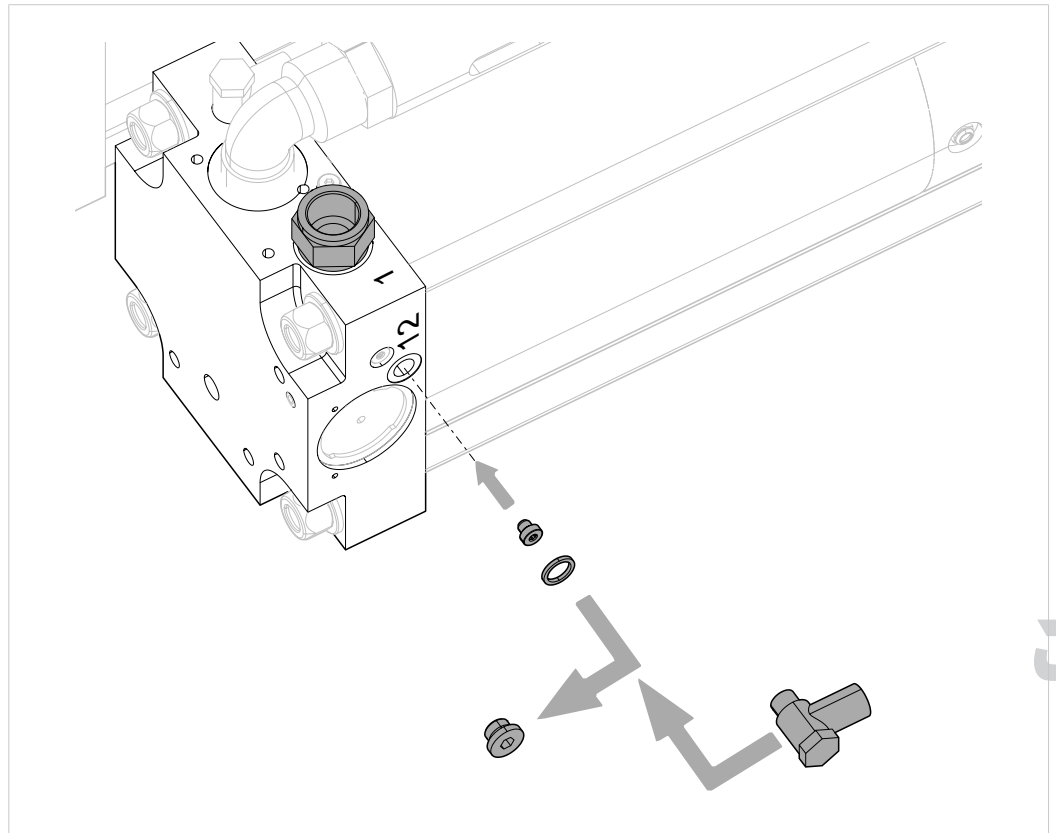


Fig. 19 Preparing external power stroke supply

Material required:

- Screw plug M 5 with collar (laterally on power stroke valve next to connection [12])

✓ For connections see [External power stroke supply \(optional\)](#), Page 47.

1. Remove the screw plug from the control connection [12] and screw the M 5 screw plug with collar fully in.
 - ▷ Bore hole in power stroke valve is closed.
2. Connect control connection [12] on the power stroke valve to output of fast approach stroke [4.1]. In addition, install hose line and seal.
3. Install external power stroke supply on power stroke input [1].

Draft

6.3.8 Installing the stroke frequency optimization (ZHO)

Installing the stroke frequency optimization (ZHO) for drive with integrated power stroke valve

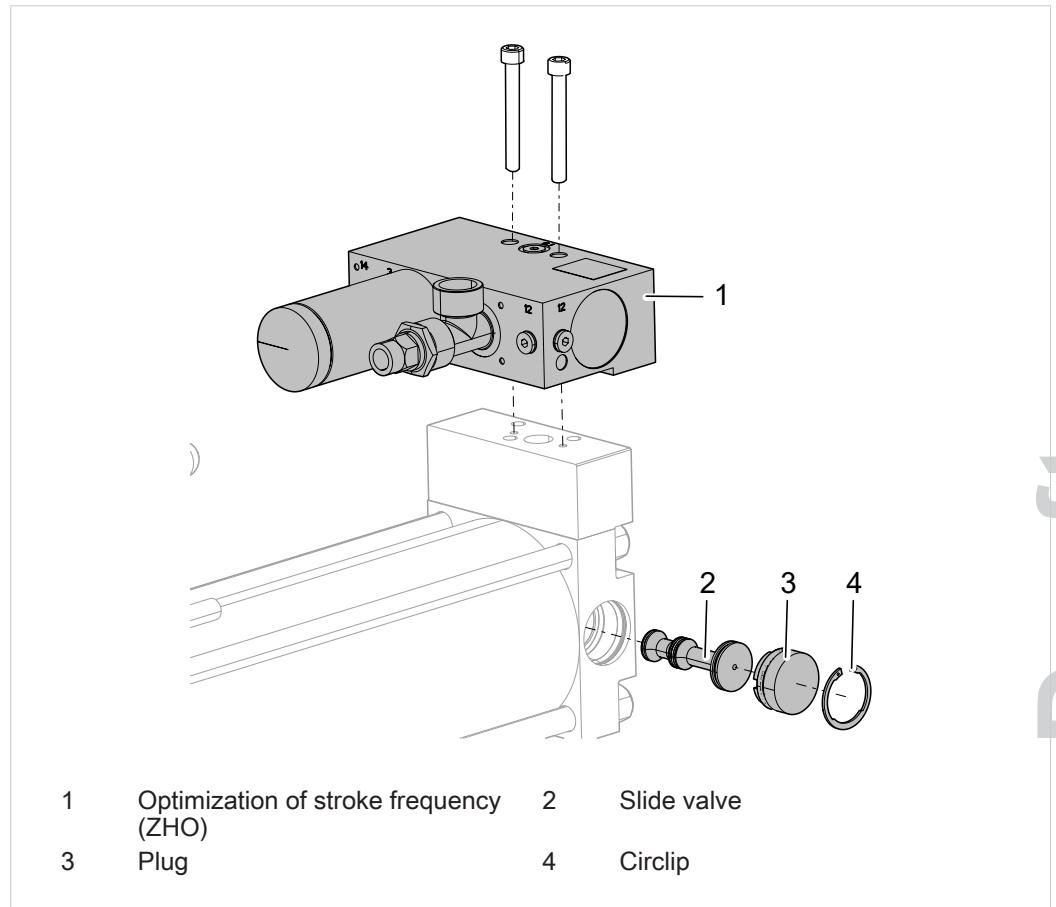


Fig. 20 Installing the stroke frequency optimization ZHO

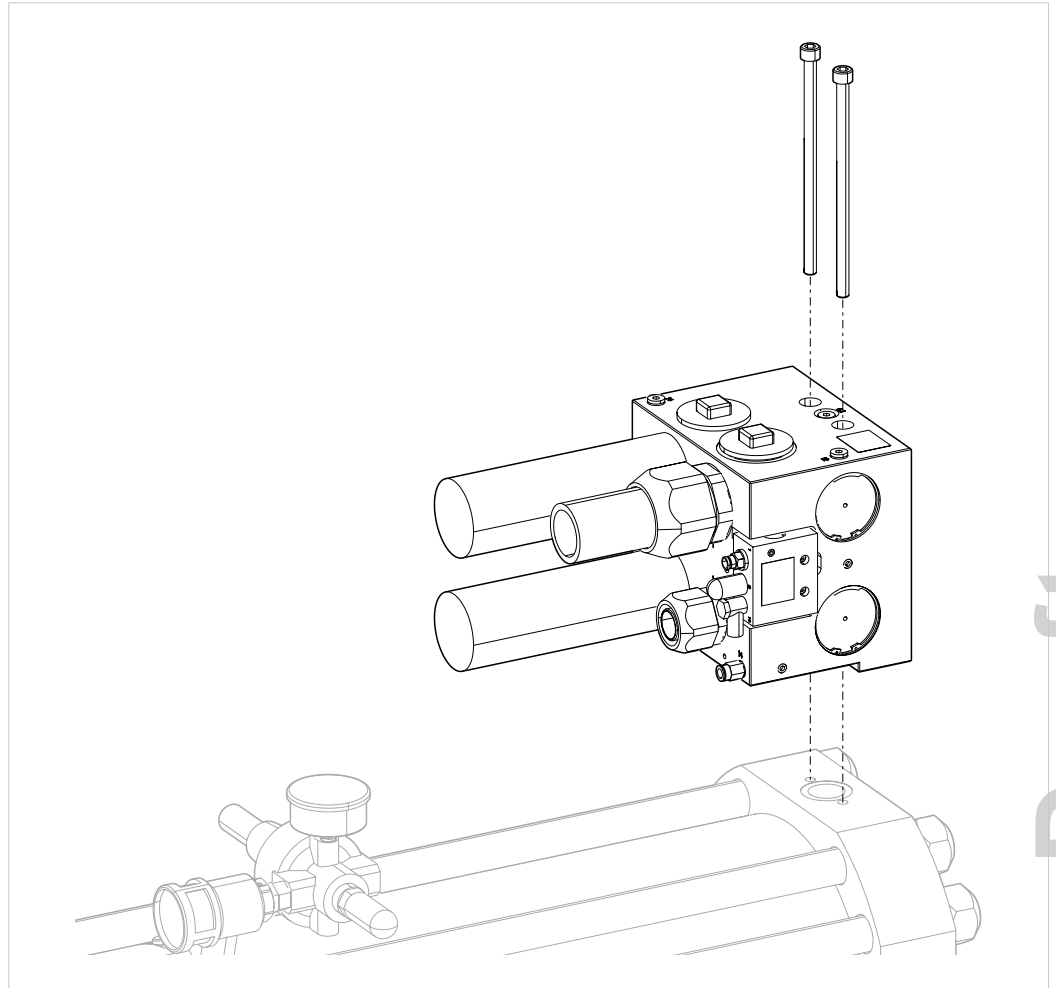
Material required:

- Stroke frequency optimization (ZHO) for drive with integrated power stroke valve
- Pneumatic supply line including all series-connected valves in the size fitting to the connections.

1. Remove circlip and plug.
2. Remove the valve slide.
3. Install the plug and circlip.
4. Installing the stroke frequency optimization (ZHO).

Draft

Installing the stroke frequency optimization (ZHO) for drive with external power stroke valve



Draft

Fig. 21 Installing the stroke frequency optimization ZHO

Material required:

- Installing the stroke frequency optimization (ZHO) for drive with external power stroke valve
- Pneumatic supply line including all series-connected valves in the size fitting to the connections.

1. Dismantle the existing external power stroke valve.
2. Install the stroke frequency optimization (ZHO).

6.3.9 Installing the speed reduction for power stroke venting

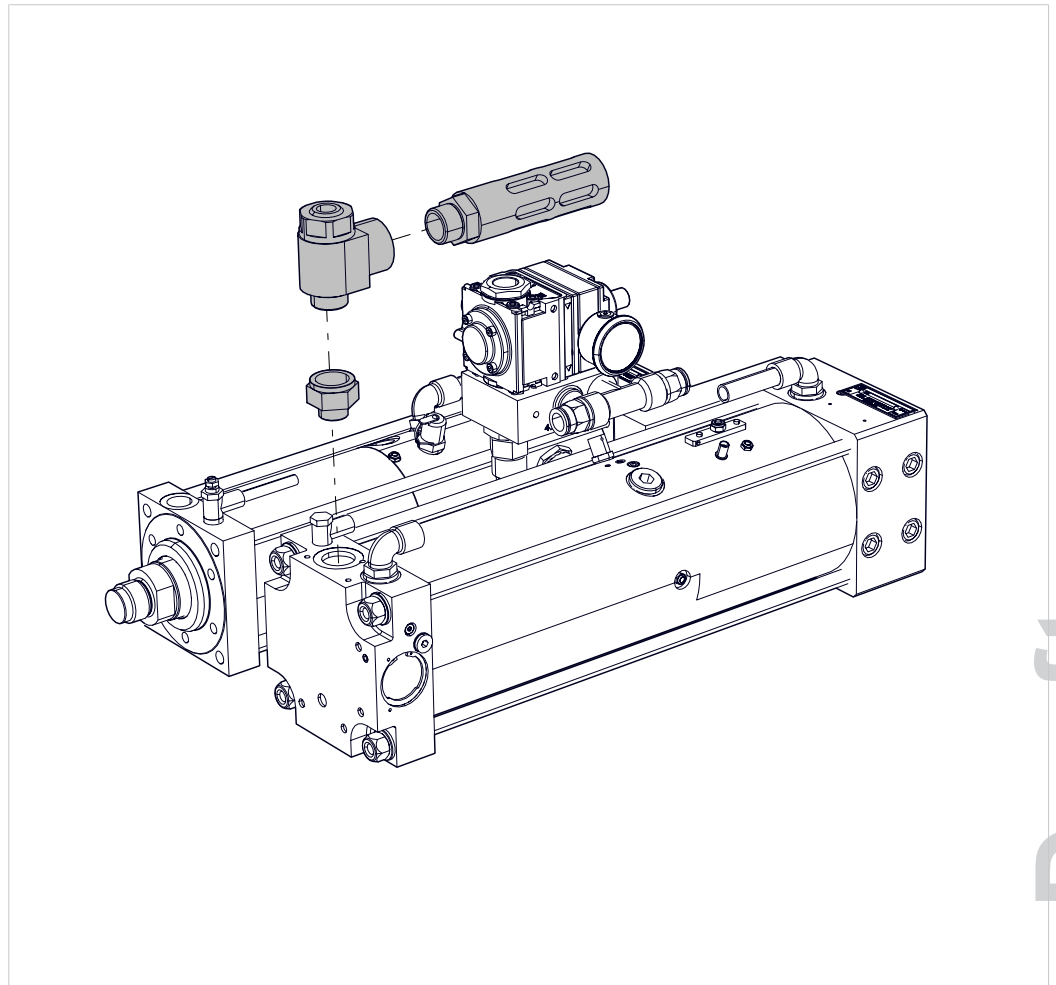


Fig. 22 Installing the speed reduction for power stroke venting

Material required:

- Adjustable exhaust air damper (ZD)

1. Install the exhaust throttle between the power stroke valve output [3] and the muffler.
2. Connect the compressed air supply connections.
3. Set the exhaust air damper.
See [Set the speed ratio between power stroke and power stroke venting \(optional\)](#), Page 31.

Draft

6.3.10 Installing tool coupling (ZWK)

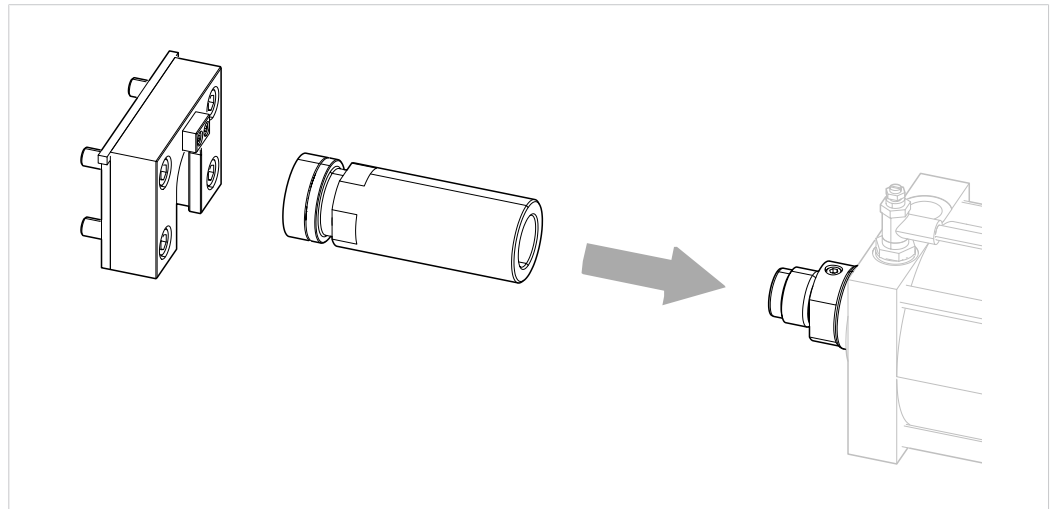


Fig. 23 Installing tool coupling (ZWK)

The thread at the end of the piston rod is intended for the installation of a tool holding fixture or a tool.

Material required:

- Tool holding fixture (ZWK) or tool
- Low-strength screw locking compound (e.g. Loctite 222)
- Lubricating grease (Klübersynth UH1 14-151 or a technically comparable one)

✓ Technical data, dimensions are observed.
See data sheet, or type sheet at www.tox.com.

1. Install the tool holding fixture on the thread of the working piston. Observe tightening torques.
See [Tightening torques on the piston rod, Page 51](#).
2. Secure the tool holding fixture screw locking compound.
3. Wet the contact surface between the holding tray and tool holding fixture with lubricating grease.
4. Install the holding tray on the ram or on the tool plate.

Draft

7 Commissioning

7.1 Safety during the commissioning

The commissioning may only be carried out by trained and authorized personnel.

The following applies:

- Make sure that that no persons are located within the danger area of the machine.
- Observe technical data and limit values.
See Technical data.

Draft

7.2 Requirements for the commissioning

This incomplete machine may not be commissioned until it has been ascertained that the incomplete machine in which the component is to be installed complies with the requirements of the Machinery Directive (2006/42/EC).

The requirements are:

- All components are properly installed.
- The safety devices of the entire system are properly assembled and functional.
- Any transport locks are removed.
- Supply connections, communication and control connections, material or media hoses are installed properly. The permissible values are complied with.
- The necessary software for controlling the component is installed.
- TOX® PRESSOTECHNIK has released the system and associated components for commissioning.

Draft

- i** For the use of pneumatic systems, very small air leakages are possible on the pneumatic screw fittings / seals and basically do not represent a defect. For this there are no measurable limit values and specifications, the awareness takes place acoustically by the operator.

Pneumatic screw fittings can come loose under certain circumstances due to vibrations during transport, differences in temperature or manipulation during installation.

→ Check the firm seating of the pneumatic screw fittings.

→ For pneumatic screw fittings on the TOX® Powerpackage, see:
[Tightening torques of pneumatic screw fittings on the Powerpackage, Page 52.](#)

7.3 Setting control throttle 'X'

The control throttle 'X' is used to set the timing of the switchover from fast approach stroke to power stroke, and must be readjusted for each application (e.g. tool weight drawing/pressing). The effect of the control throttle 'X' is influenced by the system pressure and by setting an optional fast approach stroke throttle.

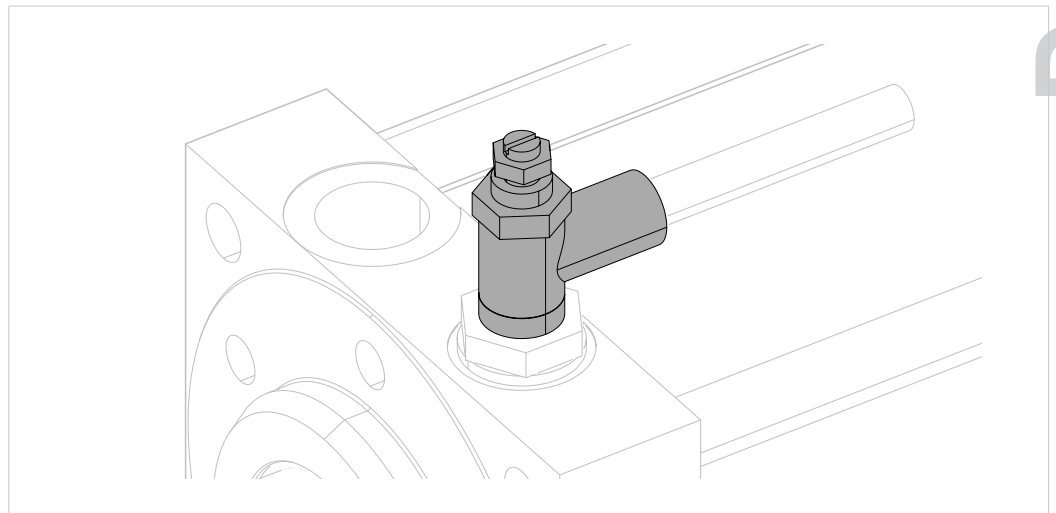


Fig. 24 Setting control throttle 'X'

Draft

- ✓ Working piston is retracted.
 - ✓ Compressed air supply is switched on.
1. Close control throttle 'X' when piston is retracted and impinged by turning clockwise.
 2. Extend working piston rod.
 3. Open control throttle 'X' slowly by turning counterclockwise until the power stroke is noticeably activated on meeting a counterforce. Opening the control throttle 'X' further causes the power stroke to be activated earlier.


Draft

7.4 Setting speed ratio of return stroke to fast approach stroke

The speed of the working piston in the fast approach stroke and return stroke can be set with external exhaust air dampers on the forward stroke and return stroke. The exhaust air dampers may have to be retrofitted.

Type
line-Q
Necessary speed ratio
<ul style="list-style-type: none"> • Return stroke equally fast as fast approach stroke or • Return stroke faster than the fast approach stroke

Tab. 3 Necessary speed ratio


 A visual check of the speeds is generally sufficient.

1. Set speed ratio according to the specifications.
2. Perform test and check the speed visually.

7.5 Set the speed ratio between power stroke and power stroke venting (optional)

At throttled power stroke speed
Necessary speed ratio between power stroke and power stroke venting
<ul style="list-style-type: none"> • Power stroke speed equal to the return stroke speed of the intensifier piston or • Power stroke speed faster than the return stroke speed of the intensifier piston

Tab. 4 Necessary speed ratio

 A visual check of the speeds is generally sufficient.

1. Set speed ratio according to the specifications.
2. Perform test and check the speed visually.

Draft

8 Operation

8.1 Safety in operation

 WARNING**Dangerous machine movements!**

Serious contusions and injuries!

- Make sure that that no persons are located in the danger area during operation.

 CAUTION**Noise during operation!**

Hearing impairment!

- Wear individual protective equipment.

 CAUTION**Hazard from flying parts!**

Injuries to eyes and body cavities!

- Wear individual protective equipment.

Draft

8.2 Requirements for operation

- The safety devices of the entire machine are properly assembled and functional.
- All components are properly maintained, clean and without damage.
- Supply connections, communication and control connections, material or media hoses are installed properly. The permissible values are complied with.
- The main switch of the machine is switched on.
- Compressed air supply is open.
- The fault message on the machine are acknowledged.
- There are no persons are located in the danger area.
- A visual inspection is carried out, especially:
 - Position of the oil level indicator when the working piston is retracted (oil level indicator flush with the surface of the cylinder).
 - No objects in the working area.

8.3 Operating drive

The operation depends on:

- Intended purpose
- Control system
- Operating elements
- Safety equipment
- Tooling and accessories

9 Troubleshooting

9.1 Safety during troubleshooting

Troubleshooting may only be carried out by trained and authorized personnel.

- Make sure that that no persons are located within the danger area of the machine.

Draft

9.2 Searching for causes of fault on the Powerpackage

Fault	Possible cause	Measure
Piston rod does not extend.	Tool jams. Guiding columns are jammed.	Mechanically decouple the Powerpackage and check ease of movement by extending and retracting.
	Air pressure too low (only for assembly direction from the bottom to the top).	Check air pressure and increase if necessary.
	Main control valve does not switch.	Check main control valve. Contact authorized service personnel.
	Unlockable check valves (optional equipment) do not open.	Check non-return valves. Contact authorized service personnel.
	Faulty pneumatic hose.	Check the compressed air supply. Contact authorized service personnel.
No execution of power stroke. Press force not reached.	Insufficient air pressure.	Increase air pressure.
	Compressed air setting on pressure regulator in the power stroke line (optional) is too low.	Increase air pressure in power stroke line.
	Pneumatic spring pressure setting is too high or the pneumatic spring is faulty.	Check compressed air supply of the pneumatic spring. Contact authorized service personnel.
	Oil level is too low.	Checking oil level, Page 88.
	Air is trapped in the hydraulic oil system.	Refilling oil and venting drive, Page 89.
	Power stroke valve is faulty.	Contact authorized service personnel.
	Control throttle 'X' incorrectly set, overloaded.	Setting control throttle 'X', Page 75.
	No air pressure in home position.	Impinge the return stroke with air pressure before initiating the fast approach stroke.
Power stroke not triggered with very short fast approach stroke (only for type Q-S, X-S, S, EL with hydraulic end position cushioning ZHD)	The fast approach distance traveled is too short. Required: min. 8 mm.	Set sufficient travel for fast approach stroke before the power stroke is switched on.
Piston rod does not retract.	Tool jams. Guiding columns are jammed.	Mechanically decouple the Powerpackage and check ease of movement by extending and retracting.
	Insufficient air pressure.	Check air pressure and increase if necessary.
	Main control valve does not switch.	Check main control valve. Contact authorized service personnel.
	Unlockable check valves (optional equipment) do not open.	Check non-return valves. Contact authorized service personnel.
	Pneumatic hose is faulty.	Check the compressed air supply. Contact authorized service personnel.
	Tool is too heavy for return stroke force.	Increase return stroke pressure. Use additional return stroke cylinders.
	Changeover signal for return stroke is not present.	Check electrical switching signal (e.g. for ZHU, ZHW, ZDO). Contact authorized service personnel.
	Power stroke valve is faulty.	Contact authorized service personnel.
	Pneumatic spring pressure regulator or pressure gauge pneumatic spring is faulty.	Check the compressed air pressure on the pressure gauge. Contact authorized service personnel.

Fault	Possible cause	Measure
Frequent refilling of hydraulic oil is necessary.	Speed ratio of fast approach stroke to return stroke is set incorrectly.	Setting speed ratio of return stroke to fast approach stroke, Page 77. Contact authorized service personnel.
	Speed ratio of power stroke and power stroke venting is set incorrectly.	Set the speed ratio between power stroke and power stroke venting (optional), Page 77. Contact authorized service personnel.
	Pneumatic supply insufficient. Cross-section of hose, size of connectors, switching valves, maintenance unit are too small.	Observe predefined connections sizes and cross-sections. See Datasheet.
	Powerpackage is not fully vented.	Refilling oil and venting drive, Page 89.
	Oil level after oil filling is not lowered.	Lowering of oil level, Page 93.
	The HP measuring connection, vent screw or oil filling nipple is leaky or faulty.	Contact authorized service personnel.
	Seals are damaged.	Contact authorized service personnel.

Draft

Maintenance table

The specified intervals are only approximate values. Depending on the area of application, the actual values may differ from the guide values.

Maintenance cycle	Additional information	
according to counter (flexible)	10.5	Refilling oil and venting drive
Weekly	10.4	Checking oil level

Draft

10 Maintenance

10.1 General information

Maintenance may only be carried out by trained and authorized personnel.

The following applies:

- Observe maintenance intervals if present and stipulated.
- Maintenance intervals may vary from the stipulated maintenance intervals.
The maintenance intervals may have to be verified with the manufacturer if necessary.
- Perform only maintenance work that is described in this manual.
- Inform operating personnel before starting repair work.
- Appoint a supervisor.

Draft

10.2 Safety during maintenance

DANGER

Electrical hazards in case of contact with live parts!

Electric shock, burns or death in case of contact with live parts!

- Have all work on the electrical equipment performed by an electrician.
- Disconnect power supply.
- Wait for residual energy to dissipate safely (at least 3 minutes).

WARNING

Hot surfaces on the drive and on the control box!

Injuries from burns!

- Allow hot surfaces and motors to cool down before touching them.

WARNING

Ejecting parts and compressed air from compressed air conducting lines!

Serious injuries to eyes and body cavities!

- Always connect and disconnect lines without pressure.
- Pay attention to maximum permitted pressures.
- Wear individual protective equipment.

WARNING

Dangerous machine movements!

Serious contusions and injuries!

- Make sure that that no persons are located in the danger area during operation.

NOTE**Incorrect cleaning agents or cleaning procedures, lack of corrosion protection!**

Damage to machine components!

- Clean plastic parts such as panes (safety guard door, housing, etc.) and control elements with cotton cloths (smooth woven structure) and suitable cleaning agents (e.g. clear water and neutral rinsing liquid).
Do not use scouring (abrasive) cleaning agents.
 - Only touch bare spots with gloves.
 - For metallic surfaces use cleaning set, such as industrial cleaner (e.g. Loctite 7063, or Würth Montagekraftreiniger 0890 107), vacuum cleaner, dry cloth and brush.
 - After cleaning, protect bare outer surfaces from corrosion. Coat surfaces with a cloth slightly moistened with anticorrosive fluid.
 - Keep inside surfaces, especially element-carrying parts, dry and free of grease.
-

Draft

10.3 Requirements for maintenance

10.3.1 Set system to maintenance position

Unless specified otherwise, before all maintenance work:

1. Retract the working piston.
 - ▷ The machine is in initial position (working piston retracted).
2. Install a restraint device if necessary.
3. Make sure that fast approach stroke and power stroke cannot be activated in maintenance position.
4. Make sure that return stroke is impinged with compressed air.
5. Make sure that the pressure valve (pneumatic spring) is impinged.
6. Make sure that unauthorized, accidental or unexpected starting up of the machine and initiation or dangerous movements due to latent energies are prevented.

Draft

10.4 Checking oil level

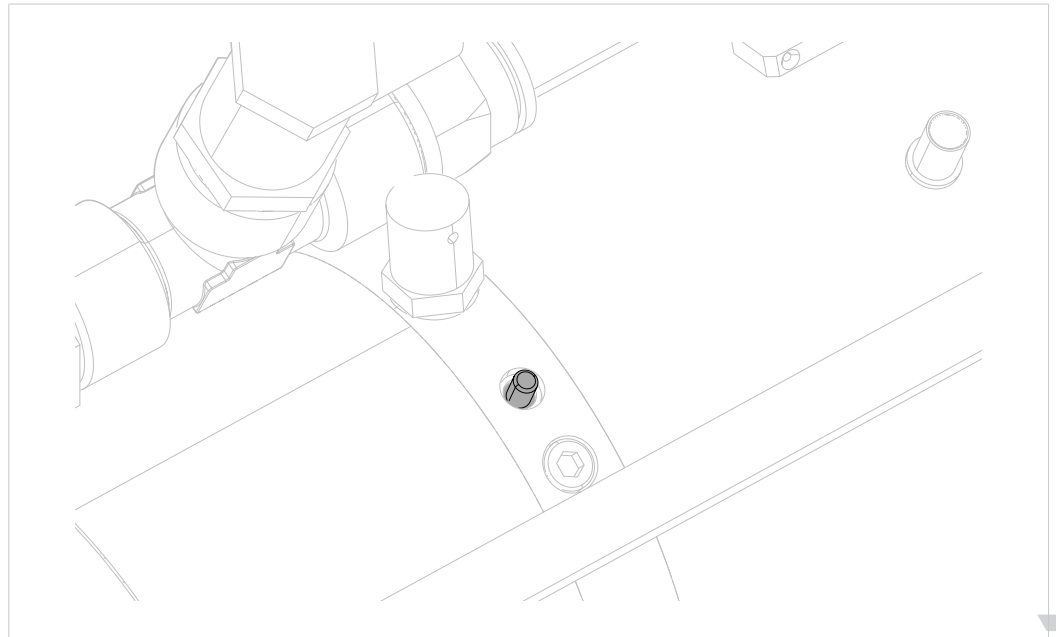


Fig. 25 Checking oil level

- ✓ System is in maintenance position.
See [Set system to maintenance position, Page 87](#).
- Check needle of the oil level indicator.
- ▶ The needle of the oil level indicator is flush with the surface of the cylinder:
Oil level is ok.
- OR -
- ▶ The needle of the oil level indicator comes out: Oil must be refilled.
See [Refilling oil and venting drive, Page 89](#).

Draft

10.5 Refilling oil and venting drive

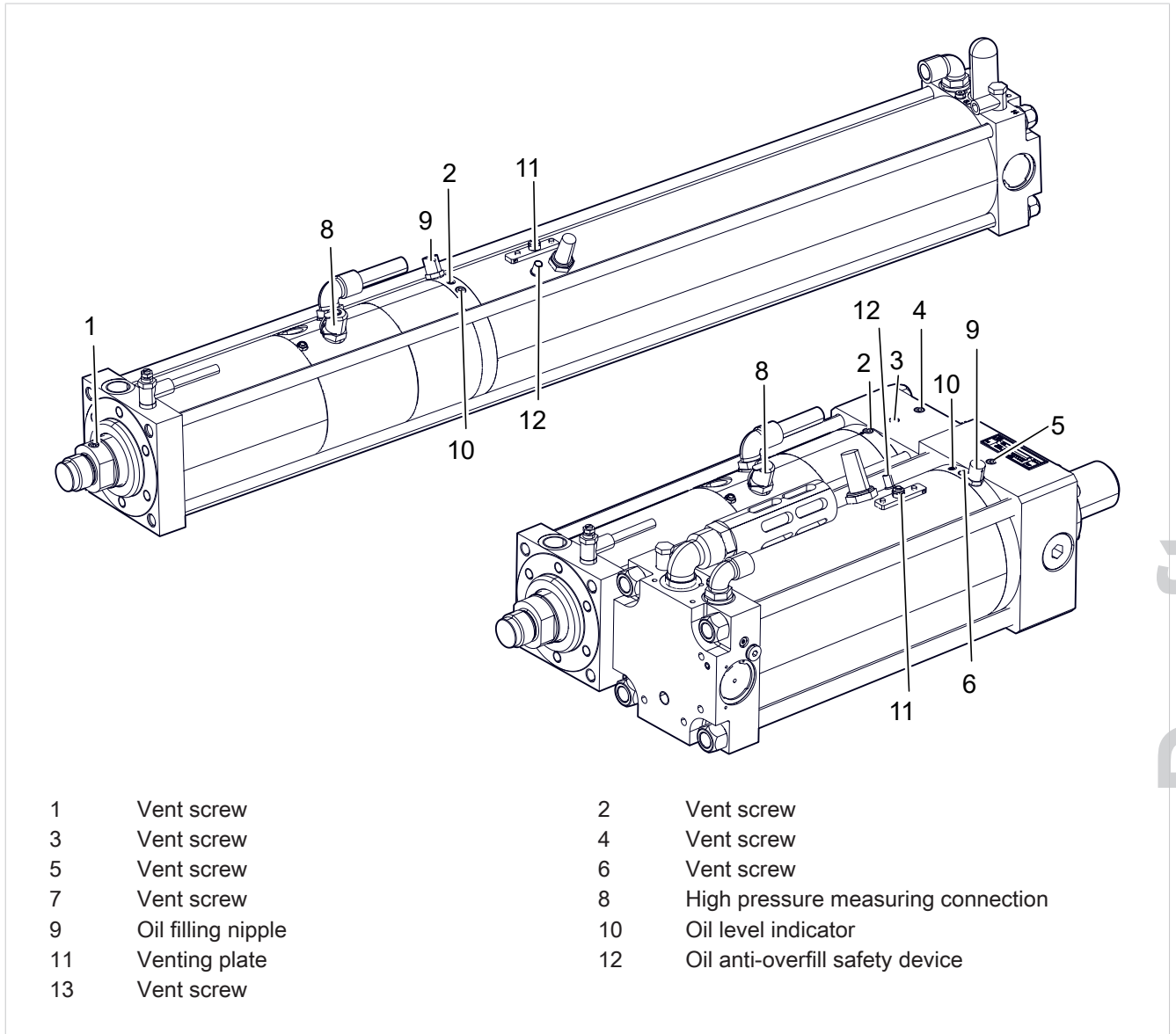



Fig. 26 Refilling oil and venting drive

Material required:

- Oil, filtered < 5 µm, load rating > 30 N/mm² (in accordance with DIN 51524-2 HLP32)
If different special oils are used, see sticker.
- Oil pump ZP 20

 The top vent screws or the top HP measuring connection must be selected for the venting.

Venting points according to installation position

Installation position	Type Q-S	Type Q-K
Vertical, working piston downward	Vent screw 2	Vent screws 2, 4, 6, 5, 7
Vertical, working piston upward	Vent screw 1 HP measuring connection 8	Vent screws 3, 5 HP measuring connection 8
Horizontal, operating side facing upward	Vent screw 2 HP measuring connection 8	Vent screws 2, 3, 5, 6, 7 HP measuring connection 8

Tab. 5 Venting point according to installation position

 **WARNING**

Contusions caused by uncontrolled extending working piston!

Serious contusions and injuries on hand and fingers.

- Make sure that the return stroke is impinged with compressed air.
- Make sure that fast approach stroke and power stroke cannot be activated.
- Install a restraint device if necessary.
- Turn off compressed air supply of the pressure valve.

 **CAUTION**

Environmental pollution caused by environmentally harmful liquids!

- Absorb spilled liquids and remove without residue.
- Dispose of liquid according to the statutory regulations.

NOTE

Damage caused by trapped air!

- Vent drive after filling with oil.
- Use highest vent screw or high pressure measuring connection for venting.

Draft

- ✓ System is in maintenance position.
See [Set system to maintenance position, Page 87](#).
- 1. Remove venting plate with locking wire on the intensifier (X-ES).
- 2. Unscrew knurled cap of the oil filling nipple.
- 3. Vent filling hose of the oil pump.
- 4. Install filling hose of the oil pump on oil filling nipple.
- 5. Continue to fill until oil escapes from the vent hole free of bubbles.
- 6. **CAUTION!** Risk of slipping from leaking oil! Absorb oil immediately and without residue!
- 7. Wait 10 min. Afterwards, repeat filling procedure until oil escapes from the vent hole free of bubbles.
- 8. Deactivate power stroke. For this, turn the control throttle X fully closed.
- 9. Move the working piston several times forward and backwards without power stroke.
- 10. Continue to refill until oil escapes from the open vent hole free of bubbles.
- 11. **CAUTION!** Splashing oil! Open vent screw slowly!
Unscrew the corresponding vent screw (see table "Venting point according to installation position") a maximum of 2 turns until the oil comes out under the vent screw without bubbles.
Then immediately close the vent screw.
- OR -
Unscrew the corresponding high pressure measuring connection cover (see table "Venting point according to installation position") and push in with a blunt object (e.g. a pin) until the oil comes out without bubbles.
- 12. Move the working piston several times forward and backwards with power stroke. For this, open control throttle X until the power stroke is audibly activated.
- 13. **CAUTION!** Splashing oil! Open vent screw slowly!
Unscrew the corresponding vent screw (see table "Venting point according to installation position") a maximum of 2 turns until the oil comes out under the vent screw without bubbles.
Then immediately close the vent screw.
- OR -
Unscrew corresponding high pressure measuring connection cover (see table "Venting point according to installation position") and push in with a blunt object (e.g. a pin) until the oil comes out without bubbles.
- 14. Tighten the vent screws. For tightening torque see Tightening torques.
- 15. If necessary, unscrew the sealing cap on high pressure measuring connection.
- 16. Unscrew filling hose of the oil pump.
- 17. Screw in knurled cap of the oil filling nipple.
- 18. Install venting plate.

Draft

19. Fasten locking wire.
20. **NOTE!** Device damage due to overfilling!
Lower oil level.
See [Lowering of oil level, Page 93](#).

Draft

10.6 Lowering of oil level

CAUTION

Environmental pollution caused by environmentally harmful liquids!

- Absorb spilled liquids and remove without residue.
- Dispose of liquid according to the statutory regulations.

NOTE

Damage to seal due to high oil level!

After refilling and venting, lower the oil level by a defined value (lowering volume " ΔV ").

For lowering volume " ΔV " see type plate.

Material required:

- Oil pump ZP 20
-
- ✓ System is in maintenance position.
See [Set system to maintenance position, Page 87](#).
 - ✓ Drive is filled and vented.
See [Refilling oil and venting drive, Page 89](#).
-
1. Remove venting plate with locking wire.
 2. Unscrew knurled cap of the oil filling nipple.
 3. Screw filling hose of the oil pump onto oil filling nipple.
 4. **CAUTION!** Risk of slipping from leaking oil! Absorb oil immediately and without residue!
Remove oil quantity exactly according to lowering volume " ΔV ".
 5. Unscrew filling hose of the oil pump.
 6. Install venting plate.
 7. Screw on knurled cap of the oil filling nipple.
 8. Fasten locking wire.
 9. Push in oil level indicator needle.

Draft

11 Repairs

11.1 Safety during repairs

Repairs may only be carried out by trained and authorized personnel.

11.2 Changing seals

Seals may only be replaced by trained and authorized service personnel.

Draft

12 Disassembly and Disposal

12.1 Safety during disassembly and disposal

The dismantling and disposal may only be carried out by trained and authorized personnel.

DANGER

Electrical hazards in case of contact with live parts!

Electric shock, burns or death in case of contact with live parts!

- Have all work on the electrical equipment performed by an electrician.
- Disconnect power supply.
- Wait for residual energy to dissipate safely (at least 3 minutes).

WARNING

Ejecting parts and compressed air from compressed air conducting lines!

Serious injuries to eyes and body cavities!

- Always connect and disconnect lines without pressure.
- Pay attention to maximum permitted pressures.
- Wear individual protective equipment.

CAUTION

Sharp edges caused by material splintering!

Injuries from worn parts!

- Wear individual protective equipment.
- Do not move fingers along the cutting edges.
- Be particularly careful and attentive.

Draft

12.2 Decommissioning

Decommissioning means that the plant is not in operation for a longer period of time but remains at the installation site for recommissioning later.

1. Move plant into home position.
2. Install a restraint device if necessary.
3. Switch off plant at the main switch.
4. Clean the system and protect it against corrosion.
5. Protect plant against loss of data and deep discharge.

12.3 Shutdown

Shutdown means that the system is shut down permanently and/or is prepared for removal.

1. Stop system and wait for it to come to a standstill.
2. Remove material if necessary.
3. Switch off the system at the main switch and secure it against being switched on again.
4. First disassemble or dismantle after switching off the power (electricity, pneumatics) and after residual energy has safely dissipated (at least 3 minutes).
5. Remove electrical supply line (first at the terminal, then on the machine).
6. Remove compressed air supply line.
7. Remove network connection.
8. Clean the system and protect it against corrosion.
9. Protect open cable ends against penetration of dirt.
10. Do not remove cable identifications.

Draft

12.4 Disassembling

The system consists of recyclable materials.

NOTE

Environmental damage!

Improper recycling endangers the environment!

- Dispose of materials separately and properly.
- Regional disposal regulations must be observed.

1. Strip the system down into its constituent parts.
2. Dispose of greases and oils separately.
3. Sort the constituent parts by material and dispose of according to the local regulations.

12.5 Disposal



When disposing of packaging, consumables and spare parts, including the machine and its accessories, the relevant national environmental protection regulations must be complied with.

For the environmentally compatible utilization and disposal of its electronic components, please contact the certified disposal company for electronic waste or return it to TOX® PRESSOTECHNIK.

For further information about the take-back and forms see www.tox.com in the service sector.

Regarding questions about disposal please contact TOX® PRESSOTECHNIK GmbH & Co. KG (see [Contact and source of supply, Page 11](#)).

13 Appendices

13.1 DECLARATION OF INCORPORATION

Draft

DECLARATION OF INCORPORATION

in accordance with the Machinery Directive (2006/42/EC), Annex II 1 B

Original declaration of incorporation

TOX® PRESSOTECHNIK GMBH & CO. KG herewith declares that the concept and design of the incomplete machine specified hereinafter and the execution traded by us

Designation/function	Pneumohydraulic drive
Product name/module	TOX®-Powerpackage
Modell/Typ	S, Q-S, EL, ELD, B-S K, Q-K, EK RZK, RZS, RZH, RZHL, RZHO R, RP, O, T, VH, VHZ KT, ES, HZ, HZL, HZO, AT, PHA KWE, EKWE, ATW, HZW, HZLW, HZOW, RZKW ELD, EKD, EKDW, ATD EKSD, ATSD SSL, KSL, ELSL, EKSL
Serial number	See type plate

complies with the relevant requirements of the Machinery Directive (2006/42/EC).

Insofar as the requirements of Annex 1 apply to the incomplete machine, the relevant health and safety requirements shall be documented in the technical documents according to Annex VII Section B.

Applied harmonized standards:

DIN EN ISO 12100:2011-03	Safety of machinery - General principles for design - Risk assessment and risk minimization
DIN EN ISO 4414:2011-04	Pneumatic fluid power - General rules and safety requirements for systems and their components

This incomplete machine may not be commissioned until it has been ascertained that the incomplete machine in which the component is to be installed complies with the requirements of the Machinery Directive (2006/42/EC).

The technical documents specific to this incomplete machine are available and can be transmitted electronically to national authorities in response to a reasoned request.

The commercial property rights of TOX® PRESSOTECHNIK GMBH & CO. KG shall remain unaffected by this.

The technical documents belonging to the incomplete machine according to Annex VII Part B have been produced.

Documentation officer: Albert Rankel, Riedstraße 4, 88250 Weingarten

Place, date Weingarten, 25.05.2020
Manufacturer TOX® PRESSOTECHNIK GMBH & CO. KG

Signature



Information on the signatory: ppa Stefan Katzenmaier

Index

A

Activation	
Design principles	34
Dynamic pressure method	36
Air consumption	28
Ambient temperature	50
Avoidance of dynamic oil leakage	30

B

Basic safety requirements	12
---------------------------------	----

C

Causes of fault	81
Change	
Seal	94
Changing seals	94
Check	
Oil level	88
Commissioning	73
Requirements	74
Safety	73
Compressed air quality	51
Conformity	7
Contact	11
Control connection	35
Control throttle 'X'	
Setting	75
Contusion	
Hazard	15
Correct	
Construction	19
Design	19
Cycle times	29

D

Data sheet	27
Decommissioning	96
Design data	27
Design principles	27
Design principles of activation	34
Disassembly	95, 97
Safety	95
Dispatch	
Repair	55
Disposal	95, 97
Safety	95
Document	
additional	8
Validity	8
Drive	
Install	57
Operating	79
Venting	89
Dynamic oil leakage	
Avoiding	30
Dynamic pressure method	
Activation	36

E

Electromagnetic	
Hazard	16
Environmental conditions	50
Equipment	
Optional	26
Exclusion of liability	7
External power stroke connection	41
External power stroke connection (ZKHZ)	
Installing	66
External power stroke deactivation	43
External power stroke release	45
External power stroke release (ZKHF)	
Installing	67
External power stroke supply	47

F

Fast approach stroke	22
Function description	21

G

Gender note 8
 General information
 Maintenance 84
 Guidelines 7

H

Hazard
 Contusion 15
 Electrical 14
 electromagnetic 16
 Hazardous substances 16
 hydraulic 15
 Laser 16
 Lithium ion battery 17
 Noise 17
 Pneumatic 14
 Thermal 14
 Hazard potential 14
 Hazardous substances 16
 Horizontal installation
 Type K, Z 34
 Hydraulic
 Hazard 15
 Hydraulic oil
 Specification 52

I

Identification
 Product 20
 Images
 Highlighting 10
 Important information 7
 Information
 Important 7
 Installation 56
 Accessories 58
 Drive 57
 External power stroke switch (ZKHZ) 66
 Power stroke deactivation (ZKHD) 67
 Power stroke release (ZKHF) 67
 Pressure control in the power stroke line
 (ZDK) 64
 Safety 56
 Speed reduction for power stroke 71
 Stroke frequency optimization (ZHO) for
 drive with integrated power stroke valve
 69
 Tightening torques 51
 Tool coupling (ZWK) 72
 ZDK 64
 ZHO 69
 ZKHD 67
 ZKHF 67
 ZKHZ 66
 ZWK 72
 Installing
 Position sensors of stroke monitoring for for-
 ward and return stroke (ZHU) 60
 Pressure switch 58
 Stroke frequency optimization (ZHO) 69
 ZDO 58
 ZHO 69
 Installing accessories 58
 Installing pressure control in the power stroke
 line (ZDK) 64
 Installing tool coupling (ZWK) 72
 Installing ZDK 64
 Installing ZWK 72
 Instructions
 Tool installation 72
 Intended use 18

L

Laser
 Hazard 16
 Legal note 7
 Lifting device 55
 line-Q
 Product overview 25
 Lowering
 Oil level 93

M

Maintenance 84
 General information 84
 Requirement 87
 Safety 85
 Maintenance position 87
 Measures
 Organizational 12
 Measuring connection 35
 Misuse 19

N

Noise
 Hazard 17
 Note
 Gender 8
 General 10
 Legal 7
 Warning signs 9

O

Oil
 Refilling 89
 Oil leakage
 Avoiding 30
 Oil level
 Checking 88
 Lowering 93
 Operation 78
 Drive 79
 Requirements 79
 Safe 18
 Safety 78
 Optional
 Equipment 26
 Organizational measures 12

Draft

P

Performance optimization..... 30

Piston rod

 Tightening torques 51

Pneumatic connection 51

Pneumatic screw fittings on the Powerpackage

 Tightening torques 52

Position sensors of stroke monitoring for forward and return stroke (ZHU)

 Installing..... 60

Power stroke 23

 Installing speed reduction 71

 Speed reduction..... 33

 Stroke limitation 32

Power stroke connection (ZKHZ)

 Installing..... 66

Power stroke deactivation (ZKHD)

 Installing..... 67

Power stroke release (ZKHF)

 Installing..... 67

Power stroke supply, external 47

Preparation

 Power stroke supply, external..... 68

 Preparing external power stroke supply ... 68

Preparing external power stroke supply 68

Press force table 52

Pressure control in the power stroke line with

 Proportional pressure control valve 39

Pressure regulation in power stroke line 37

Pressure switch

 Installing..... 58

Product Identification 20

Product overview

 line-Q 25

Proportional pressure control valve

 Pressure control in the power stroke line.. 39

Q

Qualifications 13

R

Refilling

 Oil 89

Repair

 Dispatch 55

Repairs..... 94

 Safety 94

Requirement

 Maintenance..... 87

Return stroke 24

Draft

S

Safe
 Construction..... 19
 Design..... 19
 Safety 12
 Commissioning 73
 Disassembly 95
 Disposal 95
 Installation..... 56
 Maintenance 85
 Operation 78
 Repairs 94
 Transport 54
 Troubleshooting 80
 Safety requirements
 Basic 12
 Operating company 12
 Selection
 Personnel..... 13
 Selection of personnel..... 13
 Set
 Speed ratio between power stroke and power stroke venting 31, 77
 Setting
 Control throttle 'X' 75
 Speed ratio between return stroke and fast approach stroke 31, 77
 Shutdown 96
 Source of supply..... 11
 Specification for hydraulic oil..... 52
 Speed ratio between power stroke and power stroke venting
 Set 31, 77
 Speed ratio between return stroke and fast approach stroke
 Setting..... 31, 77
 Speed reduction
 Power stroke 33
 Speed reduction for power stroke
 Installing..... 71
 Storage..... 54
 Temporary storage 55
 Stroke frequency optimization (ZHO)
 Installing..... 69
 Stroke frequency optimization (ZHO) for drive with integrated power stroke valve
 Installing..... 69
 Stroke limitation

Power stroke 32

T

Target group 8
 Technical data 50
 Technical design data 27
 Texts
 Highlighting 10
 Tightening torques
 Installation 51
 Piston rod 51
 Pneumatic screw fittings on the Powerpackage..... 52
 Tool installation
 Instructions..... 72
 Transport..... 54
 Safety 54
 Troubleshooting 80
 Safety 80
 Type K, Z
 Horizontal installation 34
 Type plate 20

U

Use
 Intended 18

V

Validity
 Document..... 8
 Venting
 Drive 89

W

Warning signs 9

Draft

Z

ZDK

Pressure regulation in power stroke line... 37

ZDO

Installing..... 58

ZHO

Installing..... 69

ZKHD

External power stroke deactivation 43

Installing..... 67

ZKHF

External power stroke release 45

Installing..... 67

ZKHZ

External power stroke connection..... 41

Installing..... 66

Draft